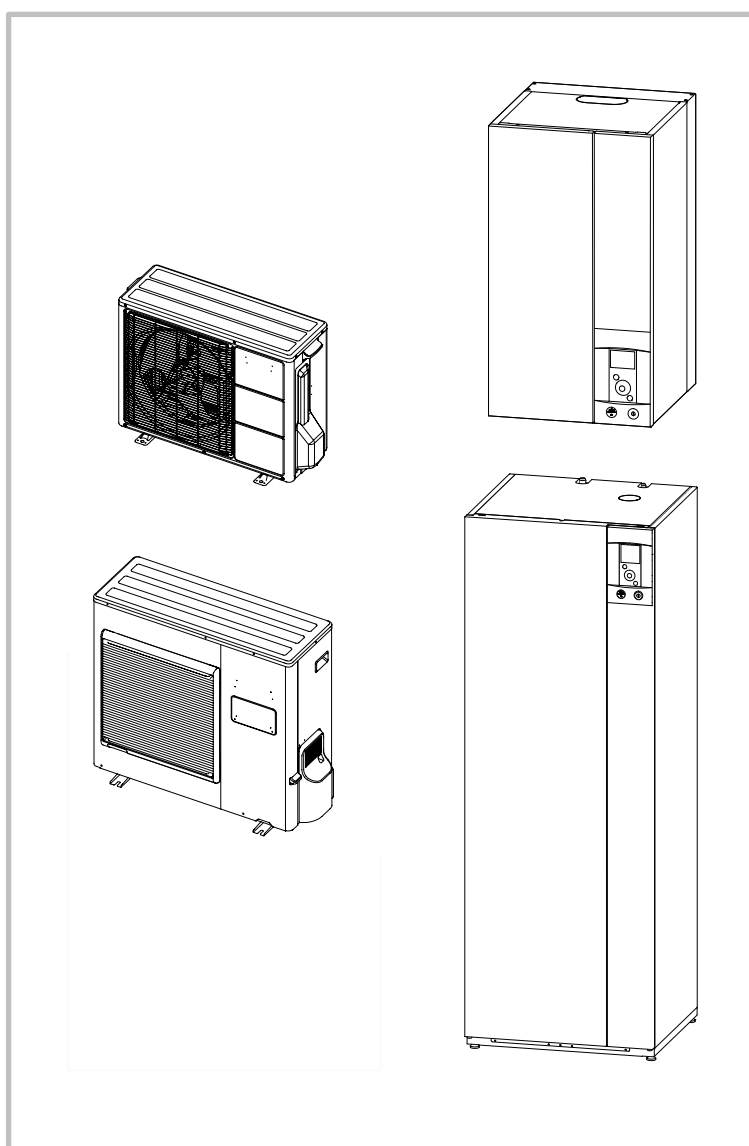


alféa extensa A.I and alféa extensa duo A.I.

**Split air / water heat pumps
heating only or heating + DHW**

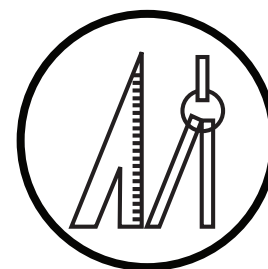


atlantic

Document n°1826-3~ 26/06/2018

FR

EN



Technical data
Intended for professionals.
Completed by the
installation
manuals 1818 and 1821.

www.atlantic-comfort.com

Subject to modifications without notice.
Non contractual document.

Contents

1.	General description	4
2.	Performances	9
2.1	Nominal performances and sound power	9
2.2	Nominal performances tables (Heating mode)	11
2.2.1	alféa extensa A.I. 5 and alféa extensa duo A.I. 5	11
2.2.2	alféa extensa A.I. 6 and alféa extensa duo A.I. 6	12
2.2.3	alféa extensa A.I. 8 and alféa extensa duo A.I. 8	13
2.2.4	alféa extensa A.I. 10 and alféa extensa duo A.I. 10	14
2.3	Performances tables including progressively the 3kW electrical backups* (Heating mode)	15
2.3.1	alféa extensa A.I. 5 and alféa extensa duo A.I. 5	15
2.3.2	alféa extensa A.I. 6 and alféa extensa duo A.I. 6	16
2.3.3	alféa extensa A.I. 8 and alféa extensa duo A.I. 8	17
2.3.4	alféa extensa A.I. 10 and alféa extensa duo A.I. 10	18
2.4	Nominal performances tables (Cooling mode)	19
2.4.1	alféa extensa A.I. 5 and alféa extensa duo A.I. 5	19
2.4.2	alféa extensa A.I. 6 and alféa extensa duo A.I. 6	19
2.4.3	alféa extensa A.I. 8 and alféa extensa duo A.I. 8	20
2.4.4	alféa extensa A.I. 10 and alféa extensa duo A.I. 10	20
2.5	Sound power of the outdoor unit.....	21
2.5.1	Sound power curves in heating mode	21
2.5.2	Sound level check point	22
2.6	Recommended operation range	22
2.7	Safety devices	23
2.7.1	Outdoor unit.....	23
2.7.2	Hydraulic unit.....	23
3.	Hydraulic circuit.....	24
3.1	Available pressures	24
3.2	Overall hydraulic layout	25
3.2.1	alféa extensa A.I.....	25
3.2.2	alféa extensa duo A.I.....	27
4.	Options	29

1. General description

For more information, please refer to the installation manuals 1818 (alféa extensa A.I.) and 1821 (alféa extensa duo A.I.).

• Table of dimensions and weight

	alféa extensa A.I. 5	alféa extensa A.I. 6	alféa extensa A.I. 8	alféa extensa A.I. 10
Reference France / International	526 200 / 526 220	526 201 / 526 221	526 202 / 526 222	526 203 / 526 223
Outdoor unit name	WOYA060LFCA		WOYA080LFCA	WOYA100LFTA
Outdoor unit code	700 171		700 172	700 173
Dimensions H x W x D (mm)	622 x 790 x 290			830 x 900 x 330
Weight (kg)	41		42	60
Hydraulic unit	024 119	024 120		
Dimensions H x W x D (mm)	842 x 448 x 477			
Weight empty / water (kg)	46 / 62			

	alféa extensa duo + 5	alféa extensa duo + 6	alféa extensa duo + 8	alféa extensa duo + 10
Reference France / International	526 210 / 526 226	526 211 / 526 227	526 212 / 526 228	526 213 / 526 229
Outdoor unit name	WOYA060LFCA		WOYA080LFCA	WOYA100LFTA
Outdoor unit code	700 171		700 172	700 173
Dimensions H x W x D (mm)	622 x 790 x 290			830 x 900 x 330
Operating weight (kg)	41		42	60
Hydraulic unit	024 122	024 123		
Dimensions H x W x D (mm)	1851 x 648 x 684			
Weight empty / water (kg)	155 / 373			

• Calculation of buffer volumes

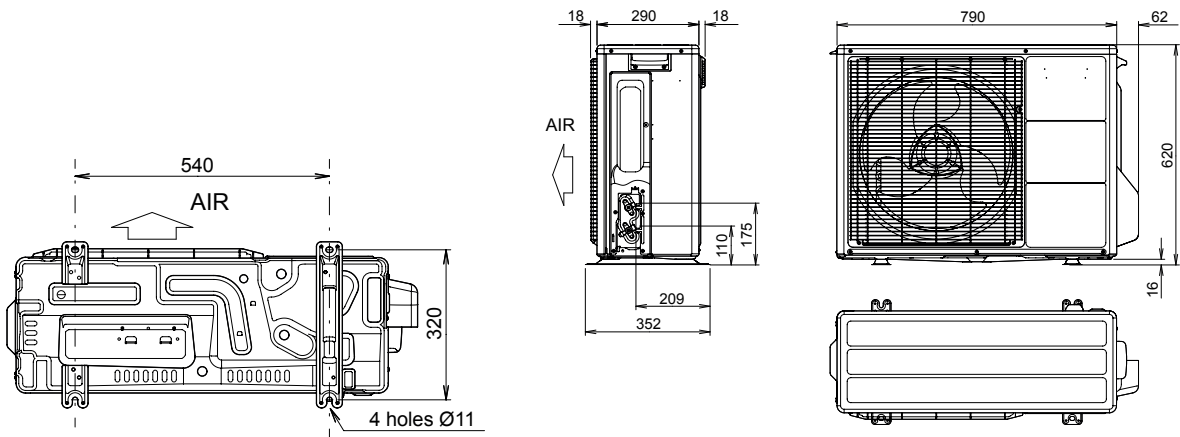
Model	Outdoor Unit	Minimum volume in liters BY CIRCUIT (without HP)		
		Fan-coil	Radiators	Heating-cooling floor
alféa extensa A.I. 5 / alféa extensa duo A.I. 5 alféa extensa A.I. 6 / alféa extensa duo A.I. 6	WOYA060LFCA	23	12	23
alféa extensa A.I. 8 / alféa extensa duo A.I. 8	WOYA080LFCA	36	33	36
alféa extensa A.I. 10 / alféa extensa duo A.I. 10	WOYA100LFTA	49	44	49

The buffer volumes are in accordance with DTU 65.16P1 project.

• Drawing

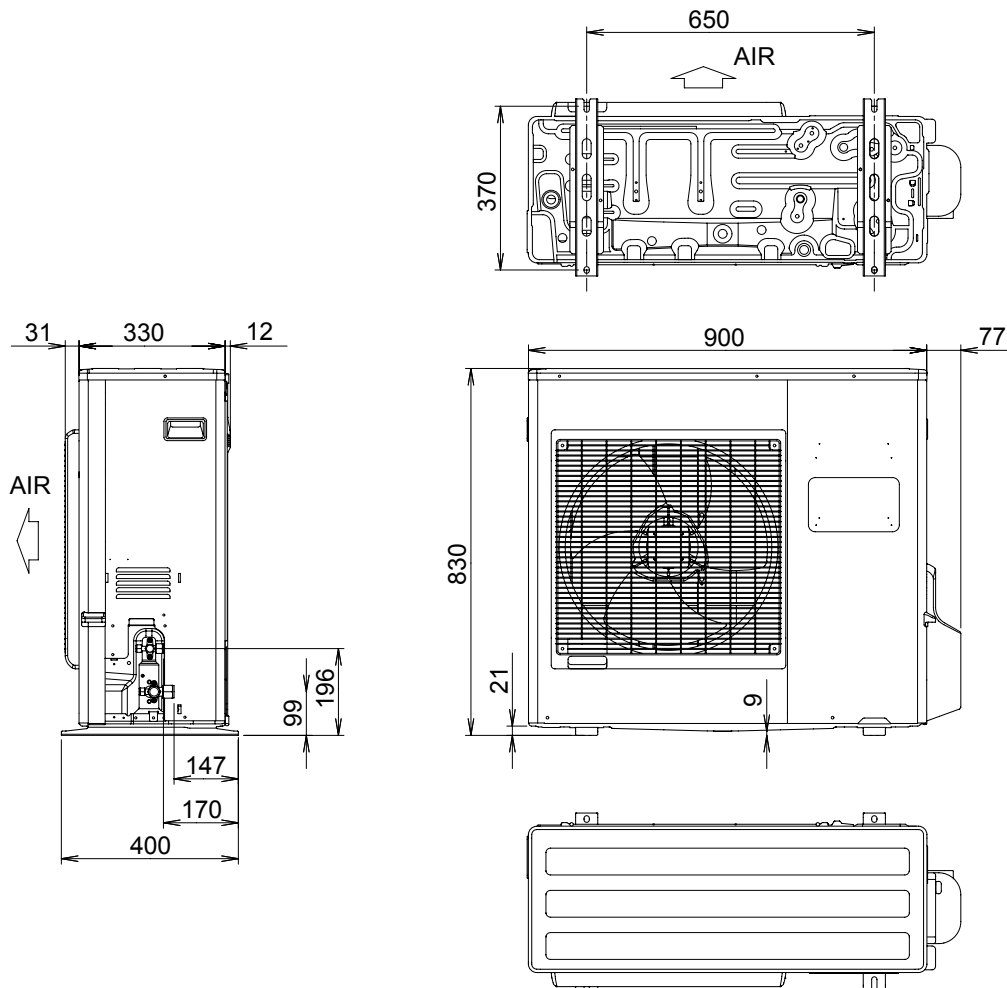
Outdoor unit :

- Models size 5, 6 and 8



Unit = mm

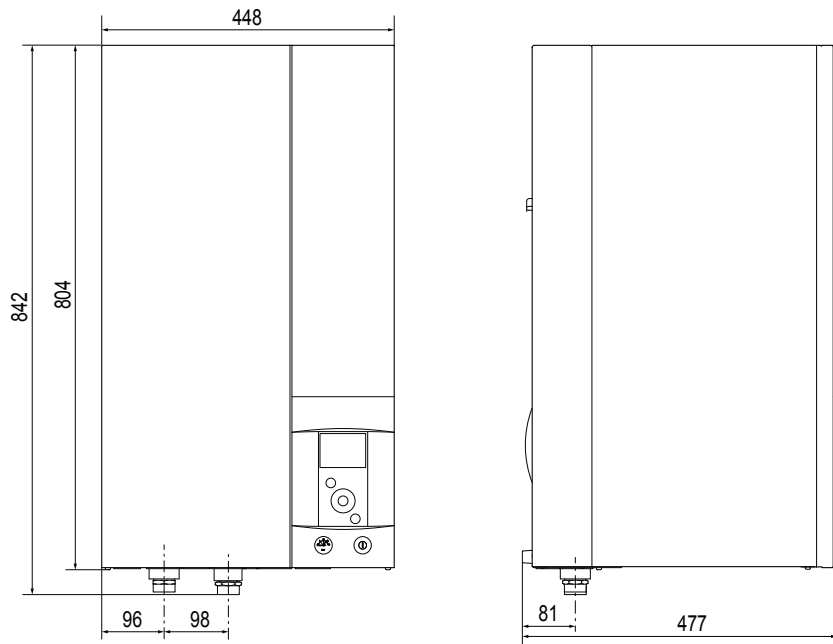
- Model size 10



Unit = mm

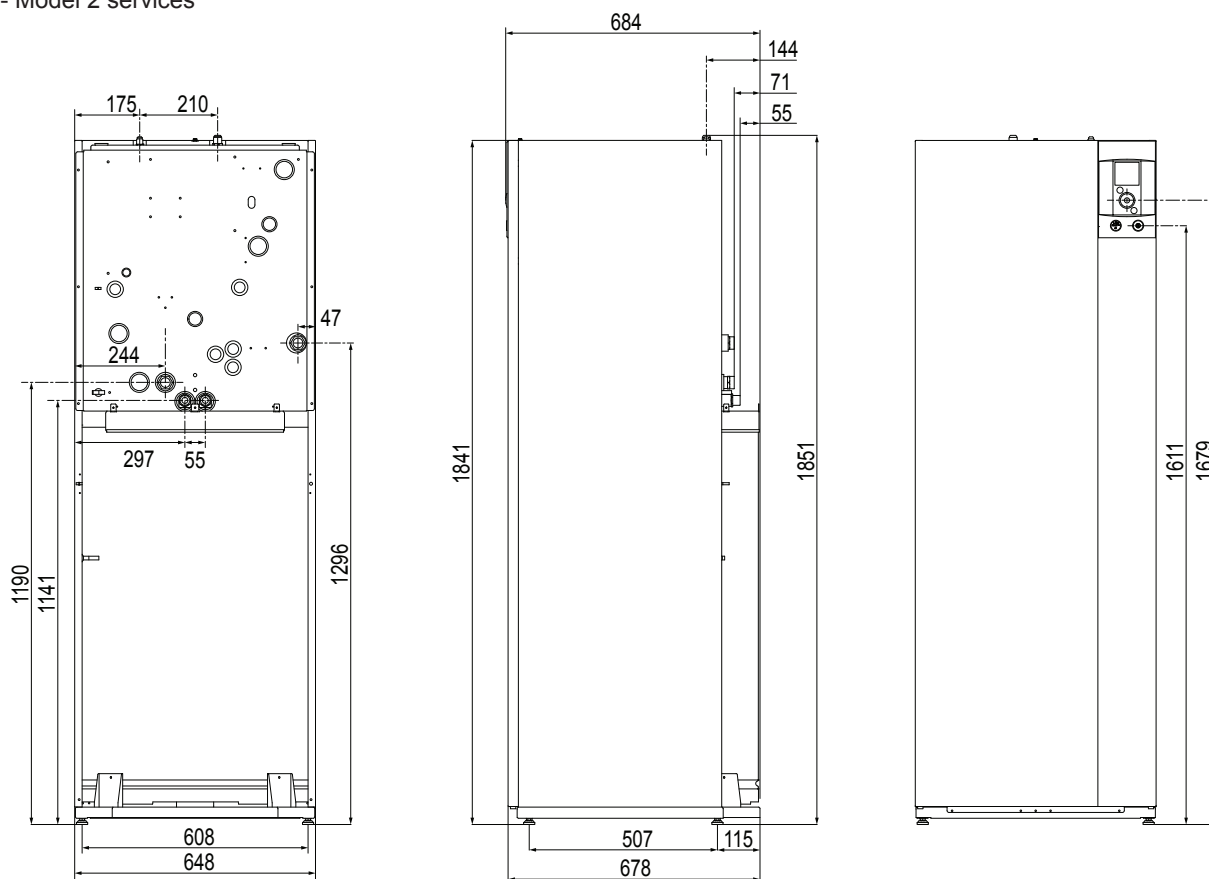
Hydraulic unit :

- Model 1 service



Unit = mm

- Model 2 services



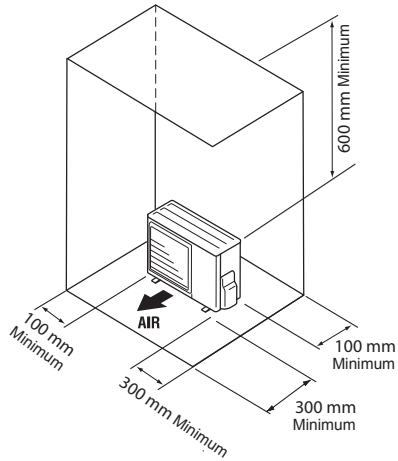
Unit = mm

• **Installation area**

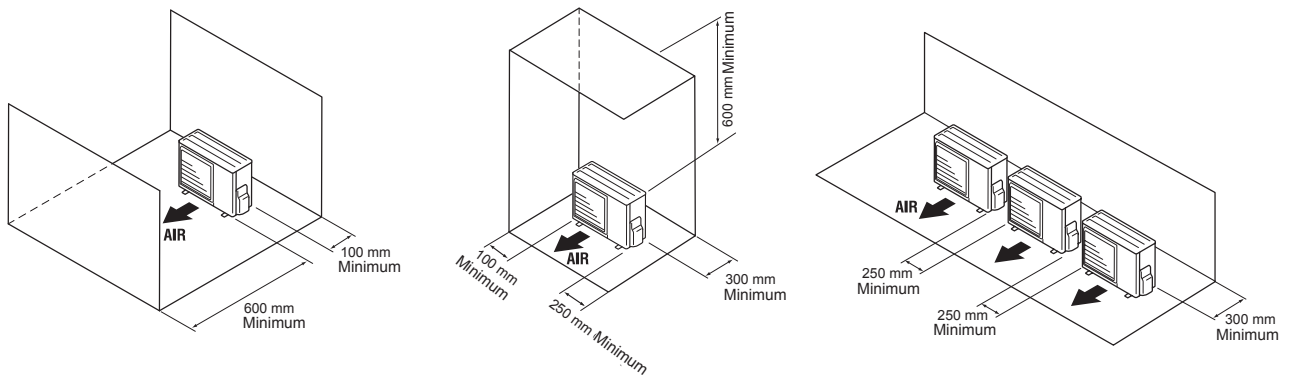
Outdoor unit :

The outdoor unit must only be installed outside. If a shelter is required, it must have broad openings on all 4 sides and the following clearances shall be respected.

- Models size 5, 6 and 8

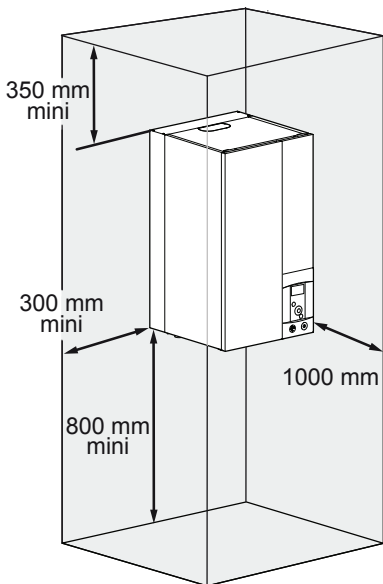


- Model size 10

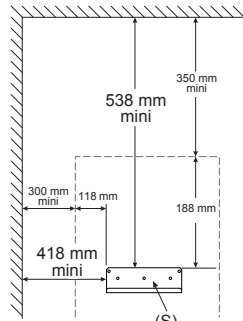
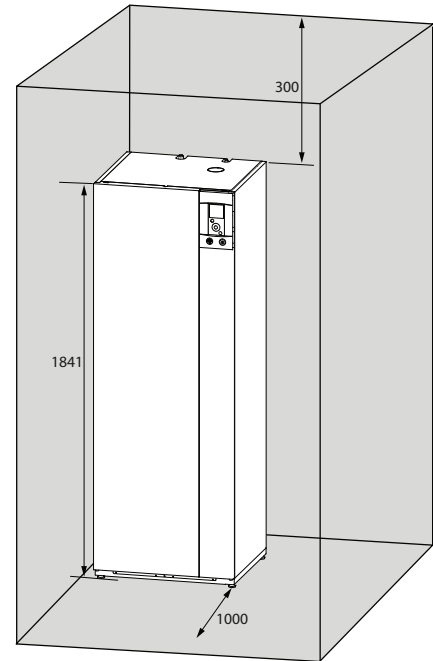


Hydraulic unit :

- Model 1 service



- Model 2 services



Hydraulic module installation

Unit = mm

In accordance with EN 378-1 -2017 standard (Refrigerating systems and heat pumps - Safety and environmental requirements), the system's hydraulic unit and all refrigeration connections passing through inhabited areas must comply with the minimum room volume requirements shown hereafter.

The minimum volume of a room (in m³) is calculated using the formula: «fluid fill load» (in kg) / 0.39.

Alternatively, you must ensure that

- the location has natural ventilation through another room where the combined volume of the two rooms is greater than «liquid fill load» (in kg) / 0.39 kg/m³. The opening between the two rooms must have a door clearance of at least 1 cm.

- or that the location is mechanically ventilated.

- Pipe connections**

		alféa extensa A.I. 5	alféa extensa A.I. 6	alféa extensa A.I. 8	alféa extensa A.I. 10
Input and Output heating diameters (male thread) circuit (inch)	pouce	1"	1"	1"	1"
Diameter of «Gas» pipes (inch)		1/2	1/2	5/8	5/8
Diameter of «Liquid» pipes (inch)		1/4	1/4	1/4	3/8

		alféa extensa duo A.I. 5	alféa extensa duo A.I. 6	alféa extensa duo A.I. 8	alféa extensa duo A.I. 10
Input and Output heating diameters (male thread) circuit (inch)	pouce	1"	1"	1"	1"
Diameter of «Gas» pipes (inch)		1/2	1/2	5/8	5/8
Diameter of «Liquid» pipes (inch)		1/4	1/4	1/4	3/8

- ERP datas**

	alféa extensa A.I. 5	alféa extensa A.I. 6	alféa extensa A.I. 8	alféa extensa A.I. 10
Energy class - heating (35°/55°)	A++ / A+	A++ / A+	A++ / A+	A++ / A+
Rated heat output (kW)	4 / 4	5 / 5	7 / 6	8 / 8
Energy seasonal efficiency - heating (35°/55°) (%)	171 / 117	171 / 117	158 / 120	157 / 115
Annual energy consumption - heating (35°/55°) (kWh)	2160 / 3027	2505 / 3180	3375 / 3886	4415 / 5415
Acoustic power (indoor / outdoor) (dBa)	46 / 63	46 / 63	46 / 69	46 / 69

	alféa extensa duo A.I. 5	alféa extensa duo A.I. 6	alféa extensa duo A.I. 8	alféa extensa duo A.I. 10
Energy class - heating (35°/55°)	A++ / A+	A++ / A+	A++ / A+	A++ / A+
Rated heat output (kW)	4 / 4	5 / 5	7 / 6	8 / 8
Energy seasonal efficiency - heating (35°/55°) (%)	171 / 117	171 / 117	158 / 120	157 / 115
Annual energy consumption - heating (35°/55°) (kWh)	2160 / 3027	2505 / 3180	3375 / 3886	4415 / 5415
Acoustic power (indoor / outdoor) (dBa)	46 / 63	46 / 63	46 / 69	46 / 69
Declared load profile - DHW	L	L	L	L
Energy class - DHW	A+	A+	A+	A+
Annual energy consumption - DHW (kWh)	880	880	880	880
Efficacité énergétique saisonnière - DHW (%)	120	120	120	120

2. Performances

2.1 Nominal performances and sound power

		alféa extensa A.I. 5	alféa extensa A.I. 6	alféa extensa A.I. 8	alféa extensa A.I. 10
+7°C/+35°C Floor heating	Heating capacity (kW)	4.50	6,00	7,50	10,00
	Input power (kW)	1.00	1,41	1,84	2,49
	COP	4.52	4,26	4,08	4,02
+2°C/+35°C Floor heating	Heating capacity (kW)	4.50	4,95	5,65	7,70
	Input power (kW)	1.39	1,53	1,78	2,47
	COP	3.24	3,24	3,17	3,12
-7°C/+35°C Floor heating	Heating capacity (kW)	4.10	4,60	5,70	7,40
	Input power (kW)	1.47	1,74	2,23	2,97
	COP	2.79	2,64	2,56	2,49
+7°C/+45°C Radiator low voltage	Heating capacity (kW)	4.50	5,10	6,20	8,27
	Input power (kW)	1.31	1,50	1,87	2,53
	COP	3.44	3,40	3,32	3,27
+2°C/+45°C Radiator low voltage	Heating capacity (kW)	4.00	4,50	5,00	6,80
	Input power (kW)	1.48	1,69	1,92	2,62
	COP	2.70	2,66	2,60	2,60
-7°C/+45°C Radiator low voltage	Heating capacity (kW)	4.10	4,45	5,05	7,40
	Input power (kW)	1.86	2,04	2,47	3,70
	COP	2.20	2,18	2,04	2,00
+7°C/+55°C Radiator high voltage	Heating capacity (kW)	4.50	4,50	5,00	7,00
	Input power (kW)	1.79	1,79	1,94	2,86
	COP	2.51	2,51	2,58	2,45
-7°C/+55°C Radiator high voltage	Heating capacity (kW)	3.70	3,85	5,20	7,00
	Input power (kW)	2.20	2,33	3,34	4,15
	COP	1.68	1,65	1,56	1,69
Sound power* (dBA)	Outdoor unit	63	63	69	69
	Hydraulic unit	46	46	46	46

Test conditions comply with EN 14-511.

* Sound power at 7/55°C according to EN12102 ; Sound power is a laboratory measurement of the sound power emitted but unlike at sound level, it does not correspond to the feel perceived. Used by specialists in acoustics, it allows to calculate the sound pressure level that is a function of the environment.

		alféa extensa duo A.I. 5	alféa extensa duo A.I. 6	alféa extensa duo A.I. 8	alféa extensa duo A.I. 10
+7°C/+35°C Floor heating	Heating capacity (kW)	4,50	6,00	7,50	10,00
	Input power (kW)	1,00	1,41	1,84	2,49
	COP	4,52	4,26	4,08	4,02
+2°C/+35°C Floor heating	Heating capacity (kW)	4,50	4,95	5,65	7,70
	Input power (kW)	1,39	1,53	1,78	2,47
	COP	3,24	3,24	3,17	3,12
-7°C/+35°C Floor heating	Heating capacity (kW)	4,10	4,60	5,70	7,40
	Input power (kW)	1,47	1,74	2,23	2,97
	COP	2,79	2,64	2,56	2,49
+7°C/+45°C Radiator low voltage	Heating capacity (kW)	4,50	5,10	6,20	8,27
	Input power (kW)	1,31	1,50	1,87	2,53
	COP	3,44	3,40	3,32	3,27
+2°C/+45°C Radiator low voltage	Heating capacity (kW)	4,00	4,50	5,00	6,80
	Input power (kW)	1,48	1,69	1,92	2,62
	COP	2,70	2,66	2,60	2,60
-7°C/+45°C Radiator low voltage	Heating capacity (kW)	4,10	4,45	5,05	7,40
	Input power (kW)	1,86	2,04	2,47	3,70
	COP	2,20	2,18	2,04	2,00
+7°C/+55°C Radiator high voltage	Heating capacity (kW)	4,50	4,50	5,00	7,00
	Input power (kW)	1,79	1,79	1,94	2,86
	COP	2,51	2,51	2,58	2,45
-7°C/+55°C Radiator high voltage	Heating capacity (kW)	3,70	3,85	5,20	7,00
	Input power (kW)	2,20	2,33	3,34	4,15
	COP	1,68	1,65	1,56	1,69
Sound power* (dBA)	Hydraulic unit	46	46	46	46
	Outdoor unit	63	63	69	69

Test conditions comply with EN 14-511.

* Sound power at 7/55°C according to EN12102 ; Sound power is a laboratory measurement of the sound power emitted but unlike at sound level, it does not correspond to the feel perceived. Used by specialists in acoustics, it allows to calculate the sound pressure level that is a function of the environment.

2.2 Nominal performances tables (Heating mode)

HC : Heating capacity (kW)
IP : Input power (kW)
COP : Coefficient of performance

Test conditions comply with EN 14-511 (defrosting included)

2.2.1 alféa extensa A.I. 5 and alféa extensa duo A.I. 5

	Starting temperature																				
	25°C			30°C			35°C			40°C			45°C			50°C			55°C		
	IP	HC	COP	IP	HC	COP	IP	HC	COP	IP	HC	COP	IP	HC	COP	IP	HC	COP	IP	HC	COP
35°C	0.46	4.50	9.78	0.53	4.50	8.49	0.60	4.50	7.50	0.71	4.50	6.34	0.84	4.50	5.36	1.02	4.50	4.41	1.25	4.50	3.60
34°C	0.45	4.50	10.00	0.53	4.50	8.49	0.61	4.50	7.38	0.71	4.50	6.34	0.85	4.50	5.29	1.03	4.50	4.37	1.26	4.50	3.57
33°C	0.47	4.50	9.57	0.54	4.50	8.33	0.61	4.50	7.38	0.72	4.50	6.25	0.86	4.50	5.23	1.03	4.50	4.37	1.27	4.50	3.54
32°C	0.46	4.50	9.78	0.54	4.50	8.33	0.62	4.50	7.26	0.73	4.50	6.16	0.86	4.50	5.23	1.04	4.50	4.33	1.28	4.50	3.52
31°C	0.47	4.50	9.57	0.55	4.50	8.18	0.63	4.50	7.14	0.74	4.50	6.08	0.87	4.50	5.17	1.05	4.50	4.29	1.29	4.50	3.49
30°C	0.49	4.50	9.18	0.56	4.50	8.04	0.63	4.50	7.14	0.74	4.50	6.08	0.88	4.50	5.11	1.06	4.50	4.25	1.30	4.50	3.46
29°C	0.48	4.50	9.38	0.56	4.50	8.04	0.64	4.50	7.03	0.75	4.50	6.00	0.89	4.50	5.06	1.07	4.50	4.21	1.31	4.50	3.44
28°C	0.49	4.50	9.18	0.57	4.50	7.89	0.65	4.50	6.92	0.76	4.50	5.92	0.90	4.50	5.00	1.08	4.50	4.17	1.32	4.50	3.41
27°C	0.49	4.50	9.18	0.57	4.50	7.89	0.65	4.50	6.92	0.77	4.50	5.84	0.91	4.50	4.95	1.09	4.50	4.13	1.33	4.50	3.38
26°C	0.50	4.50	9.00	0.58	4.50	7.76	0.66	4.50	6.82	0.77	4.50	5.84	0.91	4.50	4.95	1.10	4.50	4.09	1.34	4.50	3.36
25°C	0.51	4.50	8.82	0.59	4.50	7.63	0.67	4.50	6.72	0.78	4.50	5.77	0.92	4.50	4.89	1.11	4.50	4.05	1.35	4.50	3.33
24°C	0.50	4.50	9.00	0.59	4.50	7.63	0.68	4.50	6.62	0.79	4.50	5.70	0.93	4.50	4.84	1.12	4.50	4.02	1.36	4.50	3.31
23°C	0.51	4.50	8.82	0.60	4.50	7.50	0.69	4.50	6.52	0.80	4.50	5.63	0.94	4.50	4.79	1.13	4.50	3.98	1.37	4.50	3.28
22°C	0.51	4.50	8.82	0.60	4.50	7.50	0.69	4.50	6.52	0.81	4.50	5.56	0.95	4.50	4.74	1.14	4.50	3.95	1.38	4.50	3.26
21°C	0.52	4.50	8.65	0.61	4.50	7.38	0.70	4.50	6.43	0.82	4.50	5.49	0.96	4.50	4.69	1.15	4.50	3.91	1.39	4.50	3.24
20°C	0.53	4.50	8.49	0.62	4.50	7.26	0.71	4.50	6.34	0.83	4.50	5.42	0.97	4.50	4.64	1.16	4.50	3.88	1.41	4.50	3.19
19°C	0.53	4.50	8.49	0.63	4.50	7.14	0.73	4.50	6.16	0.84	4.50	5.36	0.99	4.50	4.55	1.18	4.50	3.81	1.43	4.50	3.15
18°C	0.56	4.50	8.04	0.65	4.50	6.92	0.74	4.50	6.08	0.86	4.50	5.23	1.01	4.50	4.46	1.20	4.50	3.75	1.46	4.50	3.08
17°C	0.56	4.50	8.04	0.66	4.50	6.82	0.76	4.50	5.92	0.88	4.50	5.11	1.03	4.50	4.37	1.23	4.50	3.66	1.48	4.50	3.04
16°C	0.58	4.50	7.76	0.68	4.50	6.62	0.78	4.50	5.77	0.90	4.50	5.00	1.05	4.50	4.29	1.25	4.50	3.60	1.51	4.50	2.98
15°C	0.60	4.50	7.50	0.70	4.50	6.43	0.80	4.50	5.63	0.92	4.50	4.89	1.08	4.50	4.17	1.27	4.50	3.54	1.54	4.50	2.92
14°C	0.62	4.50	7.26	0.72	4.50	6.25	0.82	4.50	5.49	0.94	4.50	4.79	1.10	4.50	4.09	1.30	4.50	3.46	1.56	4.50	2.88
13°C	0.64	4.50	7.03	0.74	4.50	6.08	0.84	4.50	5.36	0.97	4.50	4.64	1.13	4.50	3.98	1.32	4.50	3.41	1.59	4.50	2.83
12°C	0.66	4.50	6.82	0.76	4.50	5.92	0.86	4.50	5.23	0.99	4.50	4.55	1.15	4.50	3.91	1.35	4.50	3.33	1.62	4.50	2.78
11°C	0.67	4.50	6.72	0.78	4.50	5.77	0.89	4.50	5.06	1.02	4.50	4.41	1.18	4.50	3.81	1.38	4.50	3.26	1.65	4.50	2.73
10°C	0.69	4.50	6.52	0.80	4.50	5.63	0.91	4.50	4.95	1.04	4.50	4.33	1.21	4.50	3.72	1.41	4.50	3.19	1.69	4.50	2.66
9°C	0.72	4.50	6.25	0.83	4.50	5.42	0.94	4.50	4.79	1.07	4.50	4.21	1.24	4.50	3.63	1.44	4.50	3.13	1.72	4.50	2.62
8°C	0.73	4.50	6.16	0.85	4.50	5.29	0.97	4.50	4.64	1.10	4.50	4.09	1.27	4.50	3.54	1.48	4.50	3.04	1.76	4.50	2.56
7°C	0.76	4.50	5.92	0.88	4.50	5.11	1.00	4.50	4.50	1.13	4.50	3.98	1.30	4.50	3.46	1.51	4.50	2.98	1.79	4.50	2.51
6°C	0.79	4.50	5.70	0.91	4.50	4.95	1.03	4.50	4.37	1.16	4.50	3.88	1.34	4.50	3.36	1.54	4.50	2.92	1.83	4.50	2.46
5°C	0.82	4.50	5.49	0.94	4.50	4.79	1.06	4.50	4.25	1.20	4.50	3.75	1.37	4.50	3.28	1.58	4.50	2.85	1.88	4.50	2.39
4°C	0.99	4.50	4.55	1.10	4.50	4.09	1.21	4.50	3.72	1.29	4.38	3.40	1.41	4.25	3.01	1.61	4.25	2.64	1.91	4.25	2.23
3°C	1.10	4.50	4.09	1.20	4.50	3.75	1.30	4.50	3.46	1.36	4.31	3.17	1.45	4.13	2.85	1.65	4.13	2.50	1.94	4.13	2.13
2°C	1.19	4.50	3.78	1.29	4.50	3.49	1.39	4.50	3.24	1.42	4.25	2.99	1.48	4.00	2.70	1.68	4.00	2.38	1.98	4.00	2.02
1°C	1.18	4.46	3.78	1.29	4.46	3.46	1.40	4.46	3.19	1.45	4.24	2.92	1.52	4.01	2.64	1.72	3.99	2.32	2.00	3.97	1.99
0°C	1.19	4.41	3.71	1.30	4.41	3.39	1.41	4.41	3.13	1.49	4.22	2.83	1.56	4.02	2.58	1.76	3.98	2.26	2.03	3.93	1.94
-1°C	1.18	4.37	3.70	1.30	4.37	3.36	1.42	4.37	3.08	1.52	4.20	2.76	1.61	4.03	2.50	1.79	3.97	2.22	2.05	3.90	1.90
-2°C	1.17	4.32	3.69	1.30	4.32	3.32	1.43	4.32	3.02	1.54	4.18	2.71	1.65	4.04	2.45	1.83	3.96	2.16	2.08	3.87	1.86
-3°C	1.18	4.28	3.63	1.31	4.28	3.27	1.44	4.28	2.97	1.57	4.17	2.66	1.69	4.06	2.40	1.87	3.94	2.11	2.10	3.83	1.82
-4°C	1.18	4.23	3.58	1.31	4.23	3.23	1.44	4.23	2.94	1.59	4.15	2.61	1.73	4.07	2.35	1.91	3.93	2.06	2.13	3.80	1.78
-5°C	1.17	4.19	3.58	1.31	4.19	3.20	1.45	4.19	2.89	1.62	4.14	2.56	1.78	4.08	2.29	1.94	3.92	2.02	2.15	3.77	1.75
-6°C	1.18	4.14	3.51	1.32	4.14	3.14	1.46	4.14	2.84	1.64	4.12	2.51	1.82	4.09	2.25	1.98	3.91	1.97	2.18	3.73	1.71
-7°C	1.17	4.10	3.50	1.32	4.10	3.11	1.47	4.10	2.79	1.65	4.10	2.48	1.86	4.10	2.20	2.02	3.90	1.93	2.20	3.70	1.68
-8°C	1.17	4.05	3.46	1.32	4.05	3.07	1.47	4.05	2.76	1.65	4.03	2.44	1.83	4.00	2.19	1.99	3.80	1.91	2.22	3.67	1.65
-9°C	1.17	3.99	3.41	1.32	3.99	3.02	1.47	3.99	2.71	1.64	3.95	2.41	1.81	3.90	2.15	1.97	3.70	1.88	2.24	3.64	1.63
-10°C	1.17	3.94	3.37	1.32	3.94	2.98	1.47	3.94	2.68	1.63	3.88	2.38	1.78	3.81	2.14	1.94	3.61	1.86	2.26	3.61	1.60
-11°C	1.17	3.89	3.32	1.32	3.89	2.95	1.47	3.89	2.65	1.61	3.80	2.36	1.75	3.71	2.12	1.91	3.51	1.84	0.00	0.00	0.00
-12°C	1.18	3.83	3.25	1.32	3.83	2.90	1.46	3.83	2.62	1.59	3.73	2.35	1.72	3.61	2.10	1.88	3.41	1.81	0.00	0.00	0.00
-13°C	1.18	3.78	3.20	1.32	3.78	2.86	1.46	3.78	2.59	1.58	3.65	2.31	1.70	3.51	2.06	1.85	3.31	1.79	0.00	0.00	0.00
-14°C	1.18	3.71	3.14	1.32	3.72	2.82	1.46	3.73	2.55	1.57	3.58	2.28	1.67	3.42	2.05	1.82	3.21	1.76	0.00	0.00	0.00
-15°C	1.18	3.67	3.11	1.32	3.67	2.78	1.46	3.67	2.51	1.56	3.50	2.24	1.64	3.32	2.02	0.00	0.00	0.00	0.00	0.00	0.00
-16°C	1.18	3.51	2.97	1.31	3.51	2.68	1.44	3.51	2.44	1.54	3.35	2.18	1.61	3.22	2.00	0.00	0.00	0.00	0.00	0.00	0.00
-17°C	1.15	3.35	2.91	1.29	3.35	2.60	1.43	3.35	2.34	1.52	3.19	2.10	1.58	3.12	1.97	0.00	0.00	0.00	0.00	0.00	0.00
-18°C	1.15	3.19	2.77	1.28	3.19	2.49	1.41	3.19	2.26	1.50	3.04	2.03	1.55	3.02	1.95	0.00	0.00	0.00	0.00	0.00	0.00
-19°C	1.13	3.03	2.68	1.26	3.03	2.40	1.39	3.03	2.18	1.48	2.88	1.95	0.00	0.00	0.00	0.00	0.00	0.00	0.00	0.00	0.00
-20°C	1.13	2.87	2.54	1.25	2.87	2.30	1.37	2.87	2.09	1.46	2.73	1.87	0.00	0.00	0.00	0.00	0.00	0.00	0.00	0.00	0.00

2.2.2 alféa extensa A.I. 6 and alféa extensa duo A.I. 6

		Starting temperature																				
		25°C			30°C			35°C			40°C			45°C			50°C			55°C		
		IP	HC	COP	IP	HC	COP	IP	HC	COP	IP	HC	COP	IP	HC	COP	IP	HC	COP	IP	HC	COP
Outdoor temperature	35°C	0.85	6.90	8.12	0.88	6.45	7.33	0.91	6.00	6.59	0.95	5.55	5.84	1.01	5.10	5.05	1.11	4.80	4.32	1.25	4.50	3.60
	34°C	0.84	6.90	8.21	0.88	6.45	7.33	0.92	6.00	6.52	0.96	5.55	5.78	1.01	5.10	5.05	1.12	4.80	4.29	1.26	4.50	3.57
	33°C	0.86	6.90	8.02	0.89	6.45	7.25	0.92	6.00	6.52	0.97	5.55	5.72	1.02	5.10	5.00	1.13	4.80	4.25	1.27	4.50	3.54
	32°C	0.87	6.90	7.93	0.90	6.45	7.17	0.93	6.00	6.45	0.98	5.55	5.66	1.03	5.10	4.95	1.13	4.80	4.25	1.28	4.50	3.52
	31°C	0.88	6.90	7.84	0.91	6.45	7.09	0.94	6.00	6.38	0.99	5.55	5.61	1.04	5.10	4.90	1.14	4.80	4.21	1.29	4.50	3.49
	30°C	0.87	6.90	7.93	0.91	6.45	7.09	0.95	6.00	6.32	0.99	5.55	5.61	1.05	5.10	4.86	1.15	4.80	4.17	1.30	4.50	3.46
	29°C	0.88	6.90	7.84	0.92	6.45	7.01	0.96	6.00	6.25	1.00	5.55	5.55	1.06	5.10	4.81	1.16	4.80	4.14	1.31	4.50	3.44
	28°C	0.89	6.90	7.75	0.93	6.45	6.94	0.97	6.00	6.19	1.01	5.55	5.50	1.06	5.10	4.81	1.17	4.80	4.10	1.32	4.50	3.41
	27°C	0.90	6.90	7.67	0.94	6.45	6.86	0.98	6.00	6.12	1.02	5.55	5.44	1.07	5.10	4.77	1.18	4.80	4.07	1.33	4.50	3.38
	26°C	0.92	6.90	7.50	0.95	6.45	6.79	0.98	6.00	6.12	1.03	5.55	5.39	1.08	5.10	4.72	1.19	4.80	4.03	1.34	4.50	3.36
	25°C	0.93	6.90	7.42	0.96	6.45	6.72	0.99	6.00	6.06	1.04	5.55	5.34	1.09	5.10	4.68	1.20	4.80	4.00	1.35	4.50	3.33
	24°C	0.94	6.90	7.34	0.97	6.45	6.65	1.00	6.00	6.00	1.05	5.55	5.29	1.10	5.10	4.64	1.21	4.80	3.97	1.36	4.50	3.31
	23°C	0.95	6.90	7.26	0.98	6.45	6.58	1.01	6.00	5.94	1.06	5.55	5.24	1.11	5.10	4.59	1.22	4.80	3.93	1.37	4.50	3.28
	22°C	0.94	6.90	7.34	0.98	6.45	6.58	1.02	6.00	5.88	1.07	5.55	5.19	1.12	5.10	4.55	1.23	4.80	3.90	1.38	4.50	3.26
	21°C	0.97	6.90	7.11	1.00	6.45	6.45	1.03	6.00	5.83	1.08	5.55	5.14	1.13	5.10	4.51	1.24	4.80	3.87	1.39	4.50	3.24
	20°C	0.96	6.90	7.19	1.00	6.45	6.45	1.04	6.00	5.77	1.09	5.55	5.09	1.14	5.10	4.47	1.25	4.80	3.84	1.41	4.50	3.19
	19°C	1.00	6.90	6.90	1.03	6.45	6.26	1.06	6.00	5.66	1.11	5.55	5.00	1.16	5.10	4.40	1.28	4.80	3.75	1.43	4.50	3.15
	18°C	1.02	6.90	6.76	1.05	6.45	6.14	1.08	6.00	5.56	1.13	5.55	4.91	1.18	5.10	4.32	1.30	4.80	3.69	1.46	4.50	3.08
	17°C	1.03	6.90	6.70	1.07	6.45	6.03	1.11	6.00	5.41	1.15	5.55	4.83	1.21	5.10	4.21	1.32	4.80	3.64	1.48	4.50	3.04
	16°C	1.07	6.90	6.45	1.10	6.45	5.86	1.13	6.00	5.31	1.18	5.55	4.70	1.23	5.10	4.15	1.35	4.80	3.56	1.51	4.50	2.98
	15°C	1.08	6.90	6.39	1.12	6.45	5.76	1.16	6.00	5.17	1.20	5.55	4.63	1.26	5.10	4.05	1.37	4.80	3.50	1.54	4.50	2.92
	14°C	1.12	6.90	6.16	1.15	6.45	5.61	1.18	6.00	5.08	1.23	5.55	4.51	1.28	5.10	3.98	1.40	4.80	3.43	1.56	4.50	2.88
	13°C	1.15	6.90	6.00	1.18	6.45	5.47	1.21	6.00	4.96	1.26	5.55	4.40	1.31	5.10	3.89	1.43	4.80	3.36	1.59	4.50	2.83
	12°C	1.18	6.90	5.85	1.21	6.45	5.33	1.24	6.00	4.84	1.28	5.55	4.34	1.34	5.10	3.81	1.46	4.80	3.29	1.62	4.50	2.78
	11°C	1.21	6.90	5.70	1.24	6.45	5.20	1.27	6.00	4.72	1.32	5.55	4.20	1.37	5.10	3.72	1.49	4.80	3.22	1.65	4.50	2.73
10°C	1.24	6.90	5.56	1.27	6.45	5.08	1.30	6.00	4.62	1.34	5.55	4.14	1.40	5.10	3.64	1.52	4.80	3.16	1.69	4.50	2.66	
9°C	1.29	6.90	5.35	1.31	6.45	4.92	1.33	6.00	4.51	1.38	5.55	4.02	1.43	5.10	3.57	1.55	4.80	3.10	1.72	4.50	2.62	
8°C	1.31	6.90	5.27	1.34	6.45	4.81	1.37	6.00	4.38	1.41	5.55	3.94	1.47	5.10	3.47	1.58	4.80	3.04	1.76	4.50	2.56	
7°C	1.35	6.90	5.11	1.38	6.45	4.67	1.41	6.00	4.26	1.45	5.55	3.83	1.50	5.10	3.40	1.62	4.80	2.96	1.79	4.50	2.51	
6°C	1.40	6.90	4.93	1.42	6.45	4.54	1.44	6.00	4.17	1.49	5.55	3.72	1.54	5.10	3.31	1.66	4.80	2.89	1.83	4.50	2.46	
5°C	1.45	6.90	4.76	1.47	6.45	4.39	1.49	6.00	4.03	1.53	5.55	3.63	1.57	5.10	3.25	1.70	4.80	2.82	1.88	4.50	2.39	
4°C	1.45	6.16	4.25	1.47	5.82	3.96	1.49	5.48	3.68	1.55	5.14	3.32	1.62	4.80	2.96	1.80	4.65	2.58	2.05	4.50	2.20	
3°C	1.47	5.79	3.94	1.49	5.50	3.69	1.51	5.21	3.45	1.57	4.93	3.14	1.65	4.65	2.82	1.86	4.58	2.46	2.15	4.50	2.09	
2°C	1.49	5.41	3.63	1.51	5.18	3.43	1.53	4.95	3.24	1.60	4.73	2.96	1.69	4.50	2.66	1.93	4.50	2.33	2.26	4.50	1.99	
1°C	1.51	5.33	3.53	1.53	5.12	3.35	1.55	4.91	3.17	1.63	4.70	2.88	1.73	4.49	2.60	1.96	4.46	2.28	2.27	4.43	1.95	
0°C	1.50	5.27	3.51	1.54	5.07	3.29	1.58	4.87	3.08	1.66	4.68	2.82	1.77	4.49	2.54	1.98	4.42	2.23	2.28	4.36	1.91	
-1°C	1.52	5.19	3.41	1.56	5.01	3.21	1.60	4.83	3.02	1.69	4.66	2.76	1.81	4.48	2.48	2.01	4.38	2.18	2.28	4.28	1.88	
-2°C	1.52	5.13	3.38	1.57	4.96	3.16	1.62	4.79	2.96	1.72	4.64	2.70	1.85	4.48	2.42	2.03	4.34	2.14	2.29	4.21	1.84	
-3°C	1.53	5.04	3.29	1.59	4.90	3.08	1.65	4.76	2.88	1.75	4.62	2.64	1.88	4.47	2.38	2.06	4.31	2.09	2.30	4.14	1.80	
-4°C	1.53	4.98	3.25	1.60	4.85	3.03	1.67	4.72	2.83	1.78	4.60	2.58	1.92	4.47	2.33	2.08	4.27	2.05	2.31	4.07	1.76	
-5°C	1.55	4.90	3.16	1.62	4.79	2.96	1.69	4.68	2.77	1.81	4.57	2.52	1.96	4.46	2.28	2.11	4.23	2.00	2.31	3.99	1.73	
-6°C	1.54	4.84	3.14	1.63	4.74	2.91	1.72	4.64	2.70	1.84	4.55	2.47	2.00	4.46	2.23	2.13	4.19	1.97	2.32	3.92	1.69	
-7°C	1.56	4.76	3.05	1.65	4.68	2.84	1.74	4.60	2.64	1.87	4.53	2.42	2.04	4.45	2.18	2.16	4.15	1.92	2.33	3.85	1.65	
-8°C	1.55	4.69	3.03	1.64	4.61	2.81	1.73	4.53	2.62	1.86	4.46	2.40	2.03	4.38	2.16	2.15	4.08	1.90	2.34	3.78	1.62	
-9°C	1.54	4.62	3.00	1.63	4.54	2.79	1.72	4.46	2.59	1.85	4.39	2.37	2.02	4.32	2.14	2.14	4.02	1.88	2.35	3.71	1.58	
-10°C	1.53	4.53	2.96	1.62	4.46	2.75	1.71	4.39	2.57	1.85	4.32	2.34	2.01	4.25	2.11	2.13	3.95	1.85	2.36	3.64	1.54	
-11°C	1.52	4.46	2.93	1.61	4.39	2.73	1.70	4.32	2.54	1.84	4.25	2.31	2.00	4.18	2.09	2.12	3.88	1.83	0.00	0.00	0.00	
-12°C	1.51	4.39	2.91	1.60	4.32	2.70	1.69	4.25	2.51	1.83	4.18	2.28	1.99	4.11	2.07	2.11	3.81	1.81	0.00	0.00	0.00	
-13°C	1.51	4.32	2.86	1.60	4.25	2.66	1.69	4.18	2.47	1.82	4.11	2.26	1.98	4.05	2.05	2.10	3.74	1.78	0.00	0.00	0.00	
-14°C	1.50	4.23	2.82	1.59	4.17	2.62	1.68	4.11	2.45	1.81	4.04	2.23	1.97	3.98	2.02	2.09	3.67	1.76	0.00	0.00	0.00	
-15°C	1.49	4.16	2.79	1.58	4.10	2.59	1.67	4.04	2.42	1.80	3.97	2.21	1.96	3.91	1.99	0.00	0.00	0.00	0.00	0.00	0.00	
-16°C	1.51	4.07	2.70	1.60	4.02	2.51	1.69	3.97	2.35	1.83	3.90	2.13	1.95	3.84	1.97	0.00	0.00	0.00	0.00	0.00	0.00	
-17°C	1.53	4.01	2.62	1.62	3.95	2.44	1.71	3.89	2.27	1.85	3.82	2.06	1.94	3.77	1.94	0.00	0.00	0.00	0.00	0.00	0.00	
-18°C	1.55	3.92	2.53	1.64	3.87	2.36	1.73	3.82	2.21	1.88	3.75	1.99	1.93	3.70	1.92	0.00	0.00	0.00	0.00	0.00	0.00	
-19°C	1.56	3.84	2.46	1.66	3.79	2.28	1.76	3.74	2.13	1.90	3.67	1.93	0.00	0.00	0.00	0.00	0.00	0.00	0.00	0.00	0.00	
-20°C	1.58	3.77	2.39	1.68	3.72	2.21	1.78	3.67	2.06	1.92	3.60	1.88	0.00	0.00	0.00	0.00	0.00	0.00	0.00	0.00	0.00	

2.2.3 alféa extensa A.I. 8 and alféa extensa duo A.I. 8

	Starting temperature																				
	25°C			30°C			35°C			40°C			45°C			50°C			55°C		
	IP	HC	COP	IP	HC	COP	IP	HC	COP	IP	HC	COP	IP	HC	COP	IP	HC	COP	IP	HC	COP
35°C	1.05	8.80	8.38	1.11	8.15	7.34	1.17	7.50	6.41	1.24	6.85	5.52	1.31	6.20	4.73	1.39	5.60	4.03	1.49	5.00	3.36
34°C	1.06	8.80	8.30	1.12	8.15	7.28	1.18	7.50	6.36	1.25	6.85	5.48	1.32	6.20	4.70	1.40	5.60	4.00	1.51	5.00	3.31
33°C	1.07	8.80	8.22	1.13	8.15	7.21	1.19	7.50	6.30	1.26	6.85	5.44	1.33	6.20	4.66	1.42	5.60	3.94	1.52	5.00	3.29
32°C	1.08	8.80	8.15	1.14	8.15	7.15	1.20	7.50	6.25	1.27	6.85	5.39	1.34	6.20	4.63	1.43	5.60	3.92	1.53	5.00	3.27
31°C	1.09	8.80	8.07	1.15	8.15	7.09	1.21	7.50	6.20	1.28	6.85	5.35	1.35	6.20	4.59	1.44	5.60	3.89	1.54	5.00	3.25
30°C	1.10	8.80	8.00	1.16	8.15	7.03	1.22	7.50	6.15	1.29	6.85	5.31	1.36	6.20	4.56	1.45	5.60	3.86	1.56	5.00	3.21
29°C	1.11	8.80	7.93	1.17	8.15	6.97	1.23	7.50	6.10	1.30	6.85	5.27	1.37	6.20	4.53	1.47	5.60	3.81	1.57	5.00	3.18
28°C	1.12	8.80	7.86	1.18	8.15	6.91	1.24	7.50	6.05	1.31	6.85	5.23	1.39	6.20	4.46	1.48	5.60	3.78	1.59	5.00	3.14
27°C	1.12	8.80	7.86	1.19	8.15	6.85	1.26	7.50	5.95	1.32	6.85	5.19	1.40	6.20	4.43	1.49	5.60	3.76	1.60	5.00	3.13
26°C	1.13	8.80	7.79	1.20	8.15	6.79	1.27	7.50	5.91	1.34	6.85	5.11	1.41	6.20	4.40	1.51	5.60	3.71	1.61	5.00	3.11
25°C	1.14	8.80	7.72	1.21	8.15	6.74	1.28	7.50	5.86	1.35	6.85	5.07	1.43	6.20	4.34	1.52	5.60	3.68	1.63	5.00	3.07
24°C	1.17	8.80	7.52	1.23	8.15	6.63	1.29	7.50	5.81	1.36	6.85	5.04	1.44	6.20	4.31	1.53	5.60	3.66	1.64	5.00	3.05
23°C	1.18	8.80	7.46	1.24	8.15	6.57	1.30	7.50	5.77	1.37	6.85	5.00	1.45	6.20	4.28	1.55	5.60	3.61	1.66	5.00	3.01
22°C	1.19	8.80	7.39	1.25	8.15	6.52	1.31	7.50	5.73	1.39	6.85	4.93	1.47	6.20	4.22	1.56	5.60	3.59	1.67	5.00	2.99
21°C	1.19	8.80	7.39	1.26	8.15	6.47	1.33	7.50	5.64	1.40	6.85	4.89	1.48	6.20	4.19	1.58	5.60	3.54	1.69	5.00	2.96
20°C	1.20	8.80	7.33	1.27	8.15	6.42	1.34	7.50	5.60	1.41	6.85	4.86	1.49	6.20	4.16	1.60	5.60	3.50	1.71	5.00	2.92
19°C	1.23	8.80	7.15	1.30	8.15	6.27	1.37	7.50	5.47	1.44	6.85	4.76	1.52	6.20	4.08	1.61	5.60	3.48	1.72	5.00	2.91
18°C	1.28	8.80	6.88	1.34	8.15	6.08	1.40	7.50	5.36	1.47	6.85	4.66	1.54	6.20	4.03	1.64	5.60	3.41	1.74	5.00	2.87
17°C	1.31	8.80	6.72	1.37	8.15	5.95	1.43	7.50	5.24	1.50	6.85	4.57	1.57	6.20	3.95	1.66	5.60	3.37	1.75	5.00	2.86
16°C	1.34	8.80	6.57	1.40	8.15	5.82	1.46	7.50	5.14	1.53	6.85	4.48	1.59	6.20	3.90	1.68	5.60	3.33	1.77	5.00	2.82
15°C	1.39	8.80	6.33	1.44	8.15	5.66	1.49	7.50	5.03	1.56	6.85	4.39	1.62	6.20	3.83	1.70	5.60	3.29	1.79	5.00	2.79
14°C	1.43	8.80	6.15	1.48	8.15	5.51	1.53	7.50	4.90	1.59	6.85	4.31	1.65	6.20	3.76	1.72	5.60	3.26	1.81	5.00	2.76
13°C	1.47	8.80	5.99	1.52	8.15	5.36	1.57	7.50	4.78	1.62	6.85	4.23	1.68	6.20	3.69	1.74	5.60	3.22	1.82	5.00	2.75
12°C	1.51	8.80	5.83	1.56	8.15	5.22	1.61	7.50	4.66	1.66	6.85	4.13	1.71	6.20	3.63	1.77	5.60	3.16	1.85	5.00	2.70
11°C	1.57	8.80	5.61	1.61	8.15	5.06	1.65	7.50	4.55	1.70	6.85	4.03	1.74	6.20	3.56	1.79	5.60	3.13	1.86	5.00	2.69
10°C	1.63	8.80	5.40	1.66	8.15	4.91	1.69	7.50	4.44	1.73	6.85	3.96	1.77	6.20	3.50	1.82	5.60	3.08	1.88	5.00	2.66
9°C	1.68	8.80	5.24	1.71	8.15	4.77	1.74	7.50	4.31	1.77	6.85	3.87	1.80	6.20	3.44	1.84	5.60	3.04	1.90	5.00	2.63
8°C	1.73	8.80	5.09	1.76	8.15	4.63	1.79	7.50	4.19	1.82	6.85	3.76	1.84	6.20	3.37	1.87	5.60	2.99	1.92	5.00	2.60
7°C	1.80	8.80	4.89	1.82	8.15	4.48	1.84	7.50	4.08	1.86	6.85	3.68	1.87	6.20	3.32	1.90	5.60	2.95	1.94	5.00	2.58
6°C	1.87	8.80	4.71	1.88	8.15	4.34	1.89	7.50	3.97	1.91	6.85	3.59	1.91	6.20	3.25	1.92	5.60	2.92	1.96	5.00	2.55
5°C	1.84	8.18	4.45	1.85	7.61	4.11	1.86	7.04	3.78	1.89	6.47	3.42	1.95	6.20	3.18	1.96	5.60	2.86	1.98	5.00	2.53
4°C	1.80	7.56	4.20	1.82	7.07	3.88	1.84	6.58	3.58	1.88	6.09	3.24	1.92	5.60	2.92	2.10	5.40	2.57	2.26	5.00	2.21
3°C	1.77	6.93	3.92	1.79	6.52	3.64	1.81	6.11	3.38	1.86	5.71	3.07	1.92	5.30	2.76	2.19	5.30	2.42	2.41	5.00	2.07
2°C	1.74	6.31	3.63	1.76	5.98	3.40	1.78	5.65	3.17	1.84	5.33	2.90	1.92	5.00	2.60	2.29	5.20	2.27	2.56	5.00	1.95
1°C	1.77	6.32	3.57	1.80	5.99	3.33	1.83	5.66	3.09	1.90	5.33	2.81	1.98	5.01	2.53	2.34	5.18	2.21	2.64	5.00	1.89
0°C	1.80	6.32	3.51	1.84	5.99	3.26	1.88	5.66	3.01	1.95	5.34	2.74	2.04	5.01	2.46	2.40	5.16	2.15	2.71	5.00	1.85
-1°C	1.83	6.33	3.46	1.88	6.00	3.19	1.93	5.67	2.94	2.01	5.34	2.66	2.10	5.02	2.39	2.46	5.14	2.09	2.78	5.00	1.80
-2°C	1.86	6.33	3.40	1.92	6.00	3.13	1.98	5.67	2.86	2.06	5.35	2.60	2.16	5.02	2.32	2.51	5.12	2.04	2.85	5.00	1.75
-3°C	1.91	6.34	3.32	1.97	6.01	3.05	2.03	5.68	2.80	2.12	5.36	2.53	2.23	5.03	2.26	2.57	5.11	1.99	2.92	5.00	1.71
-4°C	1.94	6.34	3.27	2.01	6.01	2.99	2.08	5.68	2.73	2.17	5.36	2.47	2.29	5.03	2.20	2.63	5.09	1.94	2.99	5.00	1.67
-5°C	1.97	6.35	3.22	2.05	6.02	2.94	2.13	5.69	2.67	2.23	5.37	2.41	2.35	5.04	2.14	2.69	5.07	1.88	3.06	5.00	1.63
-6°C	2.00	6.35	3.18	2.09	6.02	2.88	2.18	5.69	2.61	2.28	5.37	2.36	2.41	5.04	2.09	2.74	5.05	1.84	3.13	5.00	1.60
-7°C	2.03	6.36	3.13	2.13	6.03	2.83	2.23	5.70	2.56	2.34	5.38	2.30	2.47	5.05	2.04	2.80	5.03	1.80	3.21	5.00	1.56
-8°C	2.08	6.32	3.04	2.18	6.00	2.75	2.28	5.68	2.49	2.39	5.36	2.24	2.51	5.03	2.00	2.84	5.01	1.76	3.29	5.00	1.52
-9°C	2.11	6.29	2.98	2.22	5.97	2.69	2.33	5.65	2.42	2.44	5.34	2.19	2.56	5.01	1.96	2.89	4.99	1.73	3.37	5.00	1.48
-10°C	2.16	6.25	2.89	2.27	5.94	2.62	2.38	5.63	2.37	2.48	5.31	2.14	2.60	4.99	1.92	2.93	4.98	1.70	3.45	5.00	1.45
-11°C	2.20	6.24	2.84	2.31	5.92	2.56	2.42	5.60	2.31	2.53	5.29	2.09	2.64	4.98	1.89	2.97	4.96	1.67	0.00	0.00	0.00
-12°C	2.25	6.20	2.76	2.36	5.89	2.50	2.47	5.58	2.26	2.58	5.27	2.04	2.69	4.96	1.84	3.01	4.94	1.64	0.00	0.00	0.00
-13°C	2.28	6.17	2.71	2.40	5.86	2.44	2.52	5.55	2.20	2.63	5.25	2.00	2.73	4.94	1.81	3.05	4.92	1.61	0.00	0.00	0.00
-14°C	2.33	6.13	2.63	2.45	5.83	2.38	2.57	5.53	2.15	2.67	5.22	1.96	2.77	4.92	1.78	3.09	4.90	1.59	0.00	0.00	0.00
-15°C	2.36	6.10	2.58	2.49	5.80	2.33	2.62	5.50	2.10	2.72	5.20	1.91	2.82	4.90	1.74	0.00	0.00	0.00	0.00	0.00	0.00
-16°C	2.41	6.06	2.51	2.54	5.77	2.27	2.67	5.48	2.05	2.77	5.18	1.87	2.87	4.88	1.70	0.00	0.00	0.00	0.00	0.00	0.00
-17°C	2.44	6.03	2.47	2.58	5.74	2.22	2.72	5.45	2.00	2.82	5.16	1.83	2.92	4.86	1.66	0.00	0.00	0.00	0.00	0.00	0.00
-18°C	2.28	5.59	2.45	2.40	5.32	2.22	2.52	5.05	2.00	2.62	4.78	1.82	2.97	4.84	1.63	0.00	0.00	0.00	0.00	0.00	0.00
-19°C	2.09	5.16	2.47	2.21	4.91	2.22	2.33	4.66	2.00	2.42	4.40	1.82	0.00	0.00	0.00	0.00	0.00	0.00	0.00	0.00	0.00
-20°C	1.93	4.72	2.45	2.03	4.49	2.21	2.13	4.26	2.00	2.21	4.03	1.82	0.00	0.00	0.00	0.00	0.00	0.00	0.00	0.00	0.00

2.2.4 alféa extensa A.I. 10 and alféa extensa duo A.I. 10

		Starting temperature																				
		25°C			30°C			35°C			40°C			45°C			50°C			55°C		
		IP	HC	COP	IP	HC	COP	IP	HC	COP	IP	HC	COP	IP	HC	COP	IP	HC	COP	IP	HC	COP
Outdoor temperature	35°C	1.68	11.74	6.99	1.69	10.87	6.43	1.70	10.00	5.88	1.73	9.14	5.28	1.76	8.27	4.70	1.87	7.64	4.09	2.03	7.00	3.45
	34°C	1.51	11.74	7.77	1.61	10.87	6.75	1.71	10.00	5.85	1.74	9.14	5.25	1.77	8.27	4.67	1.89	7.64	4.04	2.04	7.00	3.43
	33°C	1.52	11.74	7.72	1.62	10.87	6.71	1.72	10.00	5.81	1.75	9.14	5.22	1.79	8.27	4.62	1.90	7.64	4.02	2.06	7.00	3.40
	32°C	1.53	11.74	7.67	1.63	10.87	6.67	1.73	10.00	5.78	1.76	9.14	5.19	1.80	8.27	4.59	1.91	7.64	4.00	2.07	7.00	3.38
	31°C	1.54	11.74	7.62	1.64	10.87	6.63	1.74	10.00	5.75	1.77	9.14	5.16	1.81	8.27	4.57	1.92	7.64	3.98	2.09	7.00	3.35
	30°C	1.55	11.74	7.57	1.65	10.87	6.59	1.75	10.00	5.71	1.78	9.14	5.13	1.82	8.27	4.54	1.94	7.64	3.94	2.10	7.00	3.33
	29°C	1.58	11.74	7.43	1.67	10.87	6.51	1.76	10.00	5.68	1.79	9.14	5.11	1.83	8.27	4.52	1.95	7.64	3.92	2.12	7.00	3.30
	28°C	1.59	11.74	7.38	1.68	10.87	6.47	1.77	10.00	5.65	1.80	9.14	5.08	1.85	8.27	4.47	1.96	7.64	3.90	2.13	7.00	3.29
	27°C	1.60	11.74	7.34	1.69	10.87	6.43	1.78	10.00	5.62	1.81	9.14	5.05	1.85	8.27	4.47	1.98	7.64	3.86	2.15	7.00	3.26
	26°C	1.61	11.74	7.29	1.70	10.87	6.39	1.79	10.00	5.59	1.82	9.14	5.02	1.87	8.27	4.42	1.99	7.64	3.84	2.17	7.00	3.23
	25°C	1.64	11.74	7.16	1.72	10.87	6.32	1.80	10.00	5.56	1.84	9.14	4.97	1.88	8.27	4.40	2.01	7.64	3.80	2.19	7.00	3.20
	24°C	1.65	11.74	7.12	1.73	10.87	6.28	1.81	10.00	5.52	1.85	9.14	4.94	1.89	8.27	4.38	2.02	7.64	3.78	2.20	7.00	3.18
	23°C	1.66	11.74	7.07	1.74	10.87	6.25	1.82	10.00	5.49	1.86	9.14	4.91	1.91	8.27	4.33	2.04	7.64	3.75	2.22	7.00	3.15
	22°C	1.69	11.74	6.95	1.76	10.87	6.18	1.83	10.00	5.46	1.87	9.14	4.89	1.92	8.27	4.31	2.05	7.64	3.73	2.24	7.00	3.13
	21°C	1.70	11.74	6.91	1.77	10.87	6.14	1.84	10.00	5.43	1.88	9.14	4.86	1.93	8.27	4.28	2.06	7.64	3.71	2.26	7.00	3.10
	20°C	1.79	11.74	6.56	1.82	10.87	5.97	1.85	10.00	5.41	1.89	9.14	4.84	1.95	8.27	4.24	2.08	7.64	3.67	2.27	7.00	3.08
	19°C	1.75	11.74	6.71	1.82	10.87	5.97	1.89	10.00	5.29	1.93	9.14	4.74	1.98	8.27	4.18	2.12	7.64	3.60	2.31	7.00	3.03
	18°C	1.79	11.74	6.56	1.86	10.87	5.84	1.93	10.00	5.18	1.97	9.14	4.64	2.02	8.27	4.09	2.15	7.64	3.55	2.35	7.00	2.98
	17°C	1.85	11.74	6.35	1.91	10.87	5.69	1.97	10.00	5.08	2.00	9.14	4.57	2.06	8.27	4.01	2.19	7.64	3.49	2.39	7.00	2.93
	16°C	1.89	11.74	6.21	1.95	10.87	5.57	2.01	10.00	4.98	2.04	9.14	4.48	2.09	8.27	3.96	2.23	7.64	3.43	2.42	7.00	2.89
	15°C	1.95	11.74	6.02	2.00	10.87	5.44	2.05	10.00	4.88	2.09	9.14	4.37	2.14	8.27	3.86	2.27	7.64	3.37	2.46	7.00	2.85
14°C	2.00	11.74	5.87	2.05	10.87	5.30	2.10	10.00	4.76	2.13	9.14	4.29	2.18	8.27	3.79	2.32	7.64	3.29	2.51	7.00	2.79	
13°C	2.05	11.74	5.73	2.10	10.87	5.18	2.15	10.00	4.65	2.18	9.14	4.19	2.22	8.27	3.73	2.36	7.64	3.24	2.55	7.00	2.75	
12°C	2.12	11.74	5.54	2.16	10.87	5.03	2.20	10.00	4.55	2.22	9.14	4.12	2.27	8.27	3.64	2.40	7.64	3.18	2.60	7.00	2.69	
11°C	2.19	11.74	5.36	2.22	10.87	4.90	2.25	10.00	4.44	2.27	9.14	4.03	2.32	8.27	3.56	2.45	7.64	3.12	2.65	7.00	2.64	
10°C	2.26	11.74	5.19	2.28	10.87	4.77	2.30	10.00	4.35	2.33	9.14	3.92	2.36	8.27	3.50	2.50	7.64	3.06	2.69	7.00	2.60	
9°C	2.32	11.74	5.06	2.34	10.87	4.65	2.36	10.00	4.24	2.38	9.14	3.84	2.42	8.27	3.42	2.56	7.64	2.98	2.75	7.00	2.55	
8°C	2.42	11.74	4.85	2.42	10.87	4.49	2.42	10.00	4.13	2.44	9.14	3.75	2.47	8.27	3.35	2.61	7.64	2.93	2.80	7.00	2.50	
7°C	2.49	11.74	4.71	2.49	10.87	4.37	2.49	10.00	4.02	2.50	9.14	3.66	2.53	8.27	3.27	2.66	7.64	2.87	2.86	7.00	2.45	
6°C	2.56	11.74	4.59	2.56	10.87	4.25	2.56	10.00	3.91	2.56	9.14	3.57	2.59	8.27	3.19	2.72	7.64	2.81	2.92	7.00	2.40	
5°C	2.54	10.95	4.31	2.54	10.19	4.01	2.54	9.43	3.71	2.55	8.67	3.40	2.60	7.90	3.04	2.80	7.43	2.65	3.11	6.95	2.23	
4°C	2.52	10.17	4.04	2.52	9.51	3.77	2.52	8.85	3.51	2.54	8.20	3.23	2.61	7.54	2.89	2.87	7.22	2.52	3.31	6.90	2.08	
3°C	2.51	9.38	3.74	2.50	8.83	3.53	2.49	8.28	3.33	2.52	7.72	3.06	2.61	7.17	2.75	2.95	7.01	2.38	3.50	6.85	1.96	
2°C	2.49	8.60	3.45	2.48	8.15	3.29	2.47	7.70	3.12	2.51	7.25	2.89	2.62	6.80	2.60	3.02	6.80	2.25	3.70	6.80	1.84	
1°C	2.47	8.47	3.43	2.50	8.07	3.23	2.53	7.67	3.03	2.60	7.27	2.80	2.74	6.87	2.51	3.12	6.84	2.19	3.75	6.82	1.82	
0°C	2.46	8.33	3.39	2.52	7.98	3.17	2.58	7.63	2.96	2.69	7.28	2.71	2.86	6.93	2.42	3.23	6.89	2.13	3.80	6.84	1.80	
-1°C	2.42	8.20	3.39	2.53	7.90	3.12	2.64	7.60	2.88	2.78	7.30	2.63	2.98	7.00	2.35	3.33	6.93	2.08	3.85	6.87	1.78	
-2°C	2.41	8.07	3.35	2.55	7.82	3.07	2.69	7.57	2.81	2.87	7.32	2.55	3.10	7.07	2.28	3.43	6.98	2.03	3.90	6.89	1.77	
-3°C	2.39	7.93	3.32	2.57	7.73	3.01	2.75	7.53	2.74	2.97	7.33	2.47	3.22	7.13	2.21	3.54	7.02	1.98	3.95	6.91	1.75	
-4°C	2.38	7.80	3.28	2.59	7.65	2.95	2.80	7.50	2.68	3.06	7.35	2.40	3.34	7.20	2.16	3.64	7.07	1.94	4.00	6.93	1.73	
-5°C	2.34	7.67	3.28	2.60	7.57	2.91	2.86	7.47	2.61	3.15	7.37	2.34	3.46	7.27	2.10	3.74	7.11	1.90	4.05	6.96	1.72	
-6°C	2.33	7.53	3.23	2.62	7.48	2.85	2.91	7.43	2.55	3.24	7.38	2.28	3.58	7.33	2.05	3.85	7.16	1.86	4.10	6.98	1.70	
-7°C	2.31	7.40	3.20	2.64	7.40	2.80	2.97	7.40	2.49	3.33	7.40	2.22	3.70	7.40	2.00	3.95	7.20	1.82	4.15	7.00	1.69	
-8°C	2.35	7.40	3.15	2.68	7.39	2.76	3.01	7.38	2.45	3.35	7.33	2.19	3.69	7.29	1.98	3.95	7.25	1.84	4.20	7.02	1.67	
-9°C	2.38	7.41	3.11	2.71	7.38	2.72	3.04	7.35	2.42	3.37	7.26	2.15	3.69	7.17	1.94	3.94	7.08	1.80	4.25	7.04	1.66	
-10°C	2.42	7.39	3.05	2.75	7.36	2.68	3.08	7.33	2.38	3.39	7.19	2.12	3.68	7.06	1.92	3.94	6.93	1.76	4.30	7.06	1.64	
-11°C	2.47	7.40	3.00	2.79	7.35	2.63	3.11	7.30	2.35	3.40	7.13	2.10	3.68	6.95	1.89	3.93	6.77	1.72	0.00	0.00	0.00	
-12°C	2.49	7.40	2.97	2.82	7.34	2.60	3.15	7.28	2.31	3.42	7.06	2.06	3.67	6.84	1.86	3.92	6.61	1.69	0.00	0.00	0.00	
-13°C	2.53	7.41	2.93	2.86	7.33	2.56	3.19	7.25	2.27	3.44	6.99	2.03	3.66	6.72	1.84	3.91	6.45	1.65	0.00	0.00	0.00	
-14°C	2.58	7.39	2.86	2.90	7.31	2.52	3.22	7.23	2.25	3.46	6.92	2.00	3.66	6.61	1.81	3.90	6.29	1.61	0.00	0.00	0.00	
-15°C	2.60	7.40	2.85	2.93	7.30	2.49	3.26	7.20	2.21	3.48	6.85	1.97	3.65	6.50	1.78	0.00	0.00	0.00	0.00	0.00	0.00	
-16°C	2.65	7.40	2.79	2.97	7.29	2.45	3.29	7.18	2.18	3.50	6.78	1.94	3.64	6.39	1.76	0.00	0.00	0.00	0.00	0.00	0.00	
-17°C	2.69	7.41	2.75	3.01	7.28	2.42	3.33	7.15	2.15	3.51	6.71	1.91	3.63	6.28	1.73	0.00	0.00	0.00	0.00	0.00	0.00	
-18°C	2.55	6.95	2.73	2.86	6.84	2.39	3.17	6.73	2.12	3.36	6.34	1.89	3.62	6.17	1.70	0.00	0.00	0.00	0.00	0.00	0.00	
-19°C	2.43	6.51	2.68	2.72	6.41	2.36	3.01	6.31	2.10	3.20	5.97	1.87	0.00	0.00	0.00	0.00	0.00	0.00	0.00	0.00	0.00	
-20°C	2.28	6.05	2.65	2.57	5.97	2.32	2.86	5.89	2.06	3.05	5.60	1.84	0.00	0.00	0.00	0.00	0.00	0.00	0.00	0.00	0.00	

2.3 Performances tables including progressively the 3kW electrical backups* (Heating mode)

HC : Heating capacity (kW)

IP : Input power (kW)

COP : Coefficient of performance

Test conditions comply with EN 14-511 (defrosting included)

*Electrical backup 6kw (2x3kW) 230V mono (ref 073985) available in accessory.

2.3.1 alféa extensa A.I. 5 and alféa extensa duo A.I. 5

	Outdoor temperature	Starting temperature																				
		25°C			30°C			35°C			40°C			45°C			50°C			55°C		
		IP	HC	COP	IP	HC	COP	IP	HC	COP	IP	HC	COP	IP	HC	COP	IP	HC	COP	IP	HC	COP
35°C	0.84	8.42	10.00	1.21	7.68	6.34	1.31	7.07	5.39	1.43	6.74	4.72	1.55	6.47	4.17	1.68	6.20	3.70	1.80	5.94	3.29	
34°C	0.84	8.38	9.99	1.21	7.65	6.33	1.31	7.04	5.38	1.42	6.70	4.71	1.54	6.44	4.17	1.67	6.17	3.69	1.80	5.90	3.28	
33°C	0.84	8.34	9.98	1.20	7.61	6.32	1.30	7.00	5.38	1.42	6.67	4.71	1.54	6.40	4.16	1.66	6.14	3.69	1.79	5.87	3.28	
32°C	0.83	8.29	9.97	1.20	7.57	6.32	1.30	6.97	5.37	1.41	6.63	4.70	1.53	6.37	4.16	1.66	6.10	3.68	1.78	5.84	3.27	
31°C	0.83	8.25	9.96	1.19	7.53	6.31	1.29	6.93	5.36	1.40	6.60	4.70	1.53	6.33	4.15	1.65	6.07	3.67	1.78	5.80	3.27	
30°C	0.83	8.21	9.95	1.19	7.50	6.31	1.29	6.90	5.36	1.40	6.56	4.69	1.52	6.30	4.14	1.64	6.03	3.67	1.77	5.77	3.26	
29°C	0.82	8.17	9.94	1.18	7.46	6.30	1.28	6.86	5.35	1.39	6.53	4.69	1.51	6.27	4.14	1.64	6.00	3.66	1.76	5.73	3.25	
28°C	0.82	8.13	9.93	1.18	7.42	6.29	1.28	6.83	5.35	1.39	6.50	4.68	1.51	6.23	4.13	1.63	5.97	3.66	1.75	5.70	3.25	
27°C	0.82	8.09	9.92	1.17	7.38	6.29	1.27	6.79	5.34	1.38	6.46	4.68	1.50	6.20	4.13	1.62	5.93	3.65	1.75	5.67	3.24	
26°C	0.81	8.05	9.91	1.17	7.35	6.28	1.27	6.76	5.34	1.38	6.43	4.67	1.50	6.16	4.12	1.62	5.90	3.64	1.74	5.63	3.24	
25°C	0.81	8.01	9.90	1.17	7.31	6.27	1.26	6.73	5.33	1.37	6.40	4.66	1.49	6.13	4.12	1.61	5.87	3.64	1.73	5.60	3.23	
24°C	0.81	7.97	9.89	1.16	7.27	6.27	1.26	6.69	5.33	1.37	6.36	4.66	1.48	6.10	4.11	1.61	5.83	3.63	1.73	5.57	3.22	
23°C	0.80	7.93	9.88	1.16	7.24	6.26	1.25	6.66	5.32	1.36	6.33	4.65	1.48	6.07	4.10	1.60	5.80	3.63	1.72	5.53	3.22	
22°C	0.80	7.89	9.87	1.15	7.20	6.26	1.25	6.63	5.32	1.36	6.30	4.65	1.47	6.03	4.10	1.59	5.77	3.62	1.71	5.50	3.21	
21°C	0.80	7.85	9.86	1.15	7.17	6.25	1.24	6.59	5.31	1.35	6.27	4.64	1.47	6.00	4.09	1.59	5.74	3.62	1.71	5.47	3.20	
20°C	0.79	7.81	9.85	1.14	7.13	6.24	1.24	6.56	5.31	1.34	6.23	4.64	1.46	5.97	4.09	1.58	5.70	3.61	1.70	5.44	3.20	
19°C	0.82	7.77	9.47	1.16	7.10	6.11	1.26	6.53	5.20	1.37	6.20	4.54	1.48	5.94	4.00	1.60	5.67	3.54	1.72	5.41	3.14	
18°C	0.85	7.74	9.11	1.18	7.06	5.98	1.27	6.50	5.10	1.39	6.17	4.44	1.51	5.91	3.91	1.63	5.64	3.46	1.75	5.37	3.07	
17°C	0.88	7.70	8.77	1.20	7.02	5.86	1.29	6.46	5.00	1.41	6.14	4.35	1.53	5.87	3.83	1.65	5.61	3.39	1.77	5.34	3.02	
16°C	0.91	7.66	8.46	1.22	6.99	5.74	1.31	6.43	4.90	1.43	6.11	4.26	1.56	5.84	3.75	1.68	5.58	3.33	1.80	5.31	2.96	
15°C	0.93	7.62	8.16	1.24	6.96	5.62	1.33	6.40	4.81	1.46	6.08	4.17	1.58	5.81	3.68	1.70	5.54	3.26	1.82	5.28	2.90	
14°C	0.96	7.58	7.89	1.26	6.92	5.51	1.35	6.37	4.72	1.48	6.04	4.09	1.60	5.78	3.60	1.72	5.51	3.20	1.84	5.25	2.85	
13°C	0.99	7.54	7.63	1.27	6.89	5.40	1.37	6.34	4.63	1.50	6.01	4.01	1.63	5.75	3.53	1.75	5.48	3.14	1.87	5.22	2.79	
12°C	1.02	7.51	7.38	1.29	6.85	5.30	1.39	6.30	4.54	1.52	5.98	3.93	1.65	5.72	3.46	1.77	5.45	3.08	1.89	5.19	2.74	
11°C	1.15	7.36	6.40	1.40	6.78	4.84	1.51	6.30	4.17	1.65	5.98	3.62	1.78	5.71	3.21	1.90	5.45	2.87	2.02	5.18	2.56	
10°C	1.27	7.19	5.68	1.49	6.69	4.48	1.62	6.28	3.88	1.76	5.96	3.38	1.89	5.69	3.00	2.01	5.43	2.69	2.13	5.16	2.42	
9°C	1.40	7.04	5.04	1.60	6.62	4.13	1.74	6.28	3.60	1.89	5.95	3.15	2.02	5.69	2.81	2.14	5.42	2.53	2.26	5.16	2.28	
8°C	1.51	6.88	4.55	1.70	6.53	3.85	1.85	6.26	3.38	2.00	5.94	2.97	2.14	5.67	2.65	2.26	5.40	2.39	2.38	5.14	2.16	
7°C	1.69	6.77	4.01	1.85	6.51	3.52	2.01	6.24	3.11	2.16	5.98	2.77	2.30	5.71	2.48	2.43	5.44	2.24	2.55	5.18	2.03	
6°C	1.99	6.70	3.36	2.17	6.46	2.98	2.32	6.22	2.68	2.48	5.98	2.41	2.62	5.74	2.19	2.76	5.49	1.99	2.89	5.25	1.82	
5°C	2.23	6.62	2.96	2.42	6.40	2.65	2.57	6.18	2.40	2.73	5.96	2.19	2.88	5.74	2.00	3.02	5.52	1.83	3.17	5.30	1.67	
4°C	2.57	6.70	2.61	2.76	6.49	2.36	2.91	6.29	2.16	3.07	6.09	1.98	3.22	5.88	1.83	3.37	5.68	1.69	3.52	5.48	1.56	
3°C	2.81	6.73	2.40	3.00	6.54	2.18	3.16	6.36	2.01	3.31	6.17	1.86	3.47	5.98	1.72	3.62	5.79	1.60	3.78	5.60	1.48	
2°C	3.14	6.81	2.17	3.33	6.63	1.99	3.49	6.46	1.85	3.64	6.29	1.73	3.80	6.12	1.61	3.95	5.94	1.50	4.11	5.77	1.40	
1°C	3.20	6.79	2.12	3.39	6.62	1.95	3.55	6.46	1.82	3.70	6.29	1.70	3.86	6.13	1.59	4.01	5.96	1.48	4.17	5.80	1.39	
0°C	3.25	6.77	2.08	3.45	6.61	1.92	3.60	6.45	1.79	3.76	6.29	1.67	3.92	6.14	1.57	4.07	5.98	1.47	4.22	5.82	1.38	
-1°C	3.31	6.75	2.04	3.50	6.60	1.88	3.66	6.45	1.76	3.82	6.30	1.65	3.97	6.15	1.55	4.13	5.99	1.45	4.28	5.84	1.37	
-2°C	3.36	6.73	2.00	3.55	6.58	1.85	3.71	6.44	1.74	3.87	6.30	1.63	4.03	6.15	1.53	4.19	6.01	1.44	4.33	5.87	1.36	
-3°C	3.41	6.71	1.96	3.60	6.57	1.82	3.76	6.44	1.71	3.92	6.30	1.61	4.08	6.16	1.51	4.24	6.03	1.42	4.37	5.89	1.35	
-4°C	3.46	6.69	1.93	3.65	6.56	1.80	3.81	6.43	1.69	3.97	6.30	1.59	4.13	6.17	1.49	4.29	6.05	1.41	4.41	5.92	1.34	
-5°C	3.51	6.67	1.90	3.69	6.55	1.77	3.85	6.43	1.67	4.02	6.30	1.57	4.18	6.18	1.48	4.35	6.06	1.39	4.45	5.94	1.33	
-6°C	3.55	6.65	1.87	3.73	6.53	1.75	3.90	6.42	1.65	4.06	6.31	1.55	4.23	6.19	1.46	4.40	6.08	1.38	4.49	5.97	1.33	
-7°C	3.57	6.60	1.85	3.74	6.49	1.74	3.91	6.38	1.63	4.08	6.28	1.54	4.25	6.17	1.45	4.42	6.07	1.37	4.49	5.96	1.33	
-8°C	3.77	6.74	1.79	3.93	6.64	1.69	4.09	6.55	1.60	4.25	6.40	1.51	4.41	6.26	1.42	4.58	6.12	1.34	4.65	5.97	1.29	
-9°C	3.95	6.85	1.74	4.10	6.76	1.65	4.25	6.68	1.57	4.40	6.50	1.48	4.55	6.32	1.39	4.70	6.14	1.31	4.77	5.96	1.25	
-10°C	4.15	6.99	1.68	4.29	6.92	1.61	4.43	6.84	1.54	4.58	6.62	1.45	4.72	6.41	1.36	4.86	6.19	1.27	4.92	5.97	1.21	
-11°C	4.28	6.96	1.63	4.42	6.90	1.56	4.56	6.84	1.50	4.69	6.64	1.42	4.82	6.43	1.33	4.95	6.22	1.26	3.00	3.00	1.00	
-12°C	4.30	6.84	1.59	4.44	6.79	1.53	4.58	6.74	1.47	4.71	6.55	1.39	4.83	6.35	1.32	4.95	6.15	1.24	3.00	3.00	1.00	
-13°C	4.33	6.71	1.55	4.47	6.67	1.49	4.60	6.64	1.44	4.72	6.45	1.37	4.83	6.27	1.30	4.95	6.08	1.23	3.00	3.00	1.00	
-14°C	4.35	6.57	1.51	4.48	6.55	1.46	4.62	6.52	1.41	4.73	6.35	1.34	4.83	6.18	1.28	4.94	6.00	1.21	3.00	3.00	1.00	
-15°C	4.36	6.43	1.47	4.50	6.42	1.43	4.63	6.40	1.38	4.73	6.24	1.32	4.83	6.08	1.26	3.00	3.00	1.00	3.00	3.00	1.00	
-16°C	4.37	6.29	1.44	4.50	6.29	1.40	4.63	6.28	1.36	4.72	6.13	1.30	4.82	5.97	1.24	3.00	3.00	1.00	3.00	3.00	1.00	
-17°C	4.38	6.14	1.40	4.50	6.15	1.37	4.63	6.14	1.33	4.71	6.01	1.27	4.80	5.86	1.22	3.00	3.00	1.00	3.00	3.00	1.00	
-18°C	4.37	5.99	1.37	4.49	6.01	1.34	4.62	6.01	1.30	4.70	5.88	1.25	4.78	5.75	1.20	3.00	3.00	1.00	3.00	3.00	1.00	
-19°C	4.36	5.83	1.34	4.48	5.86	1.31	4.60	5.86	1.28	4.68	5.75	1.23	4.77	5.62	1.19	3.00	3.00	1.00	3.00	3.00	1.00	
-20°C	4.35	5.68	1.31	4.46	5.70	1.28	4.57	5.72	1.25	4.65	5.61	1.21	4.76	5.49	1.18	3.00	3.00	1.00	3.00	3.00	1.00	

2.3.2 alféa extensa A.I. 6 and alféa extensa duo A.I. 6

		Starting temperature																				
		25°C			30°C			35°C			40°C			45°C			50°C			55°C		
		IP	HC	COP	IP	HC	COP	IP	HC	COP	IP	HC	COP	IP	HC	COP	IP	HC	COP	IP	HC	COP
Outdoor temperature	35°C	1.09	9.73	8.91	1.39	9.05	6.53	1.50	8.28	5.51	1.62	7.72	4.75	1.75	7.21	4.12	1.88	6.71	3.56	2.01	6.21	3.08
	34°C	1.09	9.68	8.90	1.38	9.00	6.52	1.49	8.24	5.51	1.62	7.68	4.75	1.75	7.17	4.11	1.88	6.67	3.56	2.01	6.17	3.07
	33°C	1.08	9.63	8.89	1.37	8.96	6.52	1.49	8.19	5.50	1.61	7.64	4.74	1.74	7.13	4.10	1.87	6.63	3.55	2.00	6.13	3.07
	32°C	1.08	9.59	8.88	1.37	8.91	6.51	1.48	8.15	5.50	1.61	7.60	4.73	1.73	7.09	4.10	1.86	6.59	3.54	1.99	6.09	3.06
	31°C	1.08	9.54	8.87	1.36	8.87	6.50	1.48	8.11	5.49	1.60	7.56	4.73	1.73	7.05	4.09	1.85	6.55	3.53	1.98	6.05	3.05
	30°C	1.07	9.49	8.86	1.36	8.83	6.50	1.47	8.07	5.49	1.59	7.52	4.72	1.72	7.01	4.08	1.85	6.51	3.53	1.97	6.01	3.04
	29°C	1.07	9.44	8.85	1.35	8.78	6.49	1.47	8.03	5.48	1.59	7.48	4.72	1.71	6.98	4.08	1.84	6.47	3.52	1.97	5.97	3.03
	28°C	1.06	9.40	8.85	1.35	8.74	6.48	1.46	7.99	5.48	1.58	7.44	4.71	1.70	6.94	4.07	1.83	6.43	3.51	1.96	5.93	3.03
	27°C	1.06	9.35	8.84	1.34	8.70	6.48	1.45	7.95	5.47	1.57	7.40	4.70	1.70	6.90	4.06	1.82	6.39	3.50	1.95	5.89	3.02
	26°C	1.05	9.30	8.83	1.34	8.65	6.47	1.45	7.91	5.46	1.57	7.36	4.70	1.69	6.86	4.06	1.82	6.35	3.50	1.94	5.85	3.01
	25°C	1.05	9.26	8.82	1.33	8.61	6.47	1.44	7.87	5.46	1.56	7.32	4.69	1.68	6.82	4.05	1.81	6.32	3.49	1.94	5.81	3.00
	24°C	1.05	9.21	8.81	1.33	8.57	6.46	1.44	7.83	5.45	1.55	7.29	4.69	1.68	6.78	4.04	1.80	6.28	3.48	1.93	5.77	2.99
	23°C	1.04	9.17	8.80	1.32	8.52	6.45	1.43	7.80	5.45	1.55	7.25	4.68	1.67	6.74	4.04	1.80	6.24	3.47	1.92	5.74	2.99
	22°C	1.04	9.12	8.79	1.32	8.48	6.45	1.43	7.76	5.44	1.54	7.21	4.67	1.66	6.71	4.03	1.79	6.20	3.47	1.91	5.70	2.98
	21°C	1.03	9.08	8.78	1.31	8.44	6.44	1.42	7.72	5.44	1.54	7.17	4.67	1.66	6.67	4.02	1.78	6.16	3.46	1.91	5.66	2.97
	20°C	1.03	9.03	8.78	1.31	8.40	6.43	1.41	7.68	5.43	1.53	7.13	4.66	1.65	6.63	4.01	1.77	6.13	3.45	1.90	5.62	2.96
	19°C	1.05	8.99	8.55	1.33	8.35	6.30	1.44	7.64	5.32	1.55	7.10	4.57	1.68	6.59	3.93	1.80	6.09	3.38	1.92	5.58	2.91
	18°C	1.07	8.94	8.34	1.35	8.31	6.16	1.46	7.60	5.22	1.58	7.06	4.48	1.70	6.55	3.85	1.82	6.05	3.32	1.95	5.55	2.85
	17°C	1.09	8.90	8.14	1.37	8.27	6.04	1.48	7.57	5.12	1.60	7.02	4.39	1.73	6.52	3.78	1.85	6.01	3.25	1.97	5.51	2.79
	16°C	1.11	8.85	7.94	1.39	8.23	5.91	1.50	7.53	5.02	1.62	6.98	4.30	1.75	6.48	3.70	1.87	5.98	3.19	2.00	5.47	2.74
	15°C	1.14	8.81	7.75	1.41	8.19	5.79	1.52	7.49	4.92	1.65	6.95	4.22	1.77	6.44	3.63	1.90	5.94	3.13	2.02	5.44	2.69
14°C	1.16	8.76	7.57	1.44	8.15	5.68	1.54	7.45	4.83	1.67	6.91	4.13	1.80	6.41	3.56	1.92	5.90	3.07	2.05	5.40	2.64	
13°C	1.18	8.72	7.39	1.46	8.11	5.56	1.57	7.42	4.74	1.70	6.87	4.05	1.82	6.37	3.49	1.95	5.87	3.01	2.07	5.36	2.59	
12°C	1.20	8.68	7.23	1.48	8.07	5.46	1.59	7.38	4.65	1.72	6.84	3.98	1.85	6.33	3.43	1.97	5.83	2.96	2.09	5.33	2.54	
11°C	1.32	8.58	6.50	1.58	7.99	5.05	1.71	7.35	4.29	1.85	6.81	3.68	1.98	6.30	3.19	2.10	5.80	2.76	2.22	5.29	2.38	
10°C	1.42	8.47	5.95	1.67	7.90	4.73	1.83	7.30	4.00	1.96	6.76	3.45	2.09	6.25	2.99	2.22	5.75	2.60	2.34	5.25	2.24	
9°C	1.54	8.37	5.43	1.78	7.82	4.41	1.95	7.27	3.72	2.09	6.73	3.22	2.22	6.22	2.80	2.35	5.72	2.44	2.47	5.21	2.11	
8°C	1.65	8.25	5.01	1.86	7.73	4.15	2.06	7.22	3.50	2.20	6.68	3.03	2.34	6.17	2.64	2.46	5.67	2.30	2.58	5.17	2.00	
7°C	1.81	8.20	4.53	2.01	7.70	3.82	2.22	7.19	3.25	2.37	6.69	2.83	2.50	6.19	2.47	2.63	5.68	2.16	2.76	5.18	1.88	
6°C	2.53	8.16	3.22	2.71	7.75	2.86	2.90	7.33	2.53	3.05	6.92	2.27	3.19	6.51	2.04	3.33	6.09	1.83	3.46	5.68	1.64	
5°C	3.13	8.10	2.59	3.28	7.77	2.37	3.45	7.43	2.15	3.60	7.10	1.97	3.75	6.76	1.80	3.89	6.43	1.65	4.04	6.09	1.51	
4°C	3.61	8.07	2.23	3.75	7.80	2.08	3.91	7.52	1.92	4.06	7.25	1.78	4.21	6.98	1.66	4.36	6.70	1.54	4.51	6.43	1.43	
3°C	3.99	8.05	2.02	4.12	7.83	1.90	4.28	7.60	1.78	4.43	7.38	1.67	4.58	7.16	1.56	4.73	6.93	1.46	4.89	6.71	1.37	
2°C	4.45	8.01	1.80	4.58	7.85	1.71	4.73	7.69	1.63	4.88	7.53	1.54	5.04	7.37	1.46	5.19	7.21	1.39	5.34	7.05	1.32	
1°C	4.45	7.99	1.80	4.58	7.83	1.71	4.73	7.67	1.62	4.88	7.51	1.54	5.04	7.35	1.46	5.19	7.19	1.39	5.34	7.03	1.32	
0°C	4.46	7.97	1.79	4.58	7.81	1.70	4.73	7.65	1.62	4.89	7.49	1.53	5.04	7.33	1.46	5.19	7.17	1.38	5.33	7.02	1.32	
-1°C	4.46	7.95	1.78	4.59	7.79	1.70	4.74	7.63	1.61	4.89	7.47	1.53	5.04	7.32	1.45	5.19	7.16	1.38	5.32	7.00	1.32	
-2°C	4.47	7.93	1.77	4.60	7.77	1.69	4.75	7.61	1.60	4.89	7.45	1.52	5.04	7.30	1.45	5.18	7.14	1.38	5.30	6.98	1.32	
-3°C	4.48	7.90	1.76	4.61	7.75	1.68	4.75	7.59	1.60	4.90	7.43	1.52	5.04	7.28	1.44	5.18	7.12	1.37	5.27	6.97	1.32	
-4°C	4.50	7.88	1.75	4.63	7.73	1.67	4.76	7.57	1.59	4.90	7.41	1.51	5.04	7.26	1.44	5.18	7.10	1.37	5.24	6.95	1.33	
-5°C	4.52	7.86	1.74	4.64	7.70	1.66	4.78	7.55	1.58	4.91	7.40	1.51	5.04	7.24	1.44	5.18	7.09	1.37	5.20	6.93	1.33	
-6°C	4.54	7.84	1.73	4.66	7.68	1.65	4.79	7.53	1.57	4.92	7.38	1.50	5.04	7.22	1.43	5.17	7.07	1.37	5.16	6.91	1.34	
-7°C	4.56	7.82	1.71	4.68	7.66	1.64	4.80	7.51	1.56	4.93	7.36	1.49	5.05	7.20	1.43	5.17	7.05	1.36	5.11	6.90	1.35	
-8°C	4.56	7.74	1.70	4.68	7.56	1.62	4.79	7.39	1.54	4.91	7.19	1.47	5.02	7.00	1.39	5.14	6.81	1.33	5.08	6.62	1.30	
-9°C	4.56	7.66	1.68	4.67	7.46	1.60	4.78	7.26	1.52	4.89	7.03	1.44	4.99	6.80	1.36	5.10	6.57	1.29	5.05	6.34	1.26	
-10°C	4.55	7.58	1.66	4.66	7.36	1.58	4.76	7.14	1.50	4.87	6.87	1.41	4.97	6.60	1.33	5.07	6.33	1.25	5.01	6.06	1.21	
-11°C	4.60	7.44	1.62	4.70	7.25	1.54	4.80	7.04	1.47	4.88	6.79	1.39	4.96	6.53	1.32	5.05	6.27	1.24	3.00	3.00	1.00	
-12°C	4.63	7.30	1.58	4.73	7.12	1.51	4.83	6.94	1.44	4.89	6.70	1.37	4.95	6.45	1.30	5.01	6.20	1.24	3.00	3.00	1.00	
-13°C	4.66	7.16	1.53	4.76	7.00	1.47	4.85	6.83	1.41	4.89	6.60	1.35	4.94	6.37	1.29	4.98	6.13	1.23	3.00	3.00	1.00	
-14°C	4.69	7.00	1.49	4.78	6.86	1.44	4.87	6.71	1.38	4.89	6.49	1.33	4.92	6.27	1.28	4.94	6.04	1.22	3.00	3.00	1.00	
-15°C	4.71	6.85	1.45	4.79	6.72	1.40	4.88	6.58	1.35	4.89	6.38	1.31	4.89	6.17	1.26	3.00	3.00	1.00	3.00	3.00	1.00	
-16°C	4.72	6.69	1.42	4.80	6.58	1.37	4.88	6.45	1.32	4.87	6.26	1.29	4.86	6.06	1.25	3.00	3.00	1.00	3.00	3.00	1.00	
-17°C	4.72	6.52	1.38	4.80	6.43	1.34	4.88	6.31	1.29	4.85	6.13	1.26	4.82	5.95	1.23	3.00	3.00	1.00	3.00	3.00	1.00	
-18°C	4.72	6.35	1.35	4.79	6.27	1.31	4.87	6.16	1.27	4.83	6.00	1.24	4.78	5.83	1.22	3.00	3.00	1.00	3.00	3.00	1.00	
-19°C	4.71	6.18	1.31	4.77	6.11	1.28	4.85	6.01	1.24	4.79	5.86	1.22	3.00	3.00	1.00	3.00	3.00	1.00	3.00	3.00	1.00	
-20°C	4.69	6.00	1.28	4.75	5.94	1.25	4.82	5.86	1.22	4.75	5.72	1.20	3.00	3.00	1.00	3.00	3.00	1.00	3.00	3.00	1.00	

2.3.3 alféa extensa A.I. 8 and alféa extensa duo A.I. 8

Outdoor temperature	Starting temperature																				
	25°C			30°C			35°C			40°C			45°C			50°C			55°C		
	IP	HC	COP	IP	HC	COP	IP	HC	COP	IP	HC	COP	IP	HC	COP	IP	HC	COP	IP	HC	COP
35°C	1.77	12.94	7.31	2.13	12.57	5.90	2.26	11.80	5.21	2.40	11.17	4.65	2.55	10.58	4.15	2.69	9.99	3.71	2.84	9.40	3.31
34°C	1.76	12.88	7.30	2.12	12.51	5.90	2.25	11.74	5.21	2.39	11.11	4.64	2.54	10.52	4.15	2.68	9.93	3.70	2.83	9.34	3.30
33°C	1.76	12.82	7.30	2.11	12.45	5.89	2.25	11.68	5.20	2.38	11.05	4.64	2.53	10.46	4.14	2.67	9.87	3.69	2.82	9.28	3.29
32°C	1.75	12.75	7.29	2.10	12.39	5.89	2.24	11.62	5.20	2.38	11.00	4.63	2.52	10.41	4.13	2.66	9.82	3.69	2.81	9.23	3.29
31°C	1.74	12.69	7.28	2.10	12.33	5.88	2.23	11.56	5.19	2.37	10.94	4.62	2.51	10.35	4.13	2.65	9.76	3.68	2.80	9.17	3.28
30°C	1.74	12.63	7.28	2.09	12.26	5.87	2.22	11.51	5.19	2.36	10.88	4.62	2.50	10.29	4.12	2.64	9.70	3.67	2.79	9.11	3.27
29°C	1.73	12.56	7.27	2.08	12.20	5.87	2.21	11.45	5.18	2.35	10.83	4.61	2.49	10.24	4.11	2.63	9.65	3.67	2.77	9.06	3.26
28°C	1.72	12.50	7.26	2.07	12.14	5.86	2.20	11.39	5.18	2.34	10.77	4.61	2.48	10.18	4.11	2.62	9.59	3.66	2.76	9.00	3.26
27°C	1.71	12.44	7.25	2.06	12.08	5.86	2.19	11.33	5.17	2.33	10.71	4.60	2.47	10.12	4.10	2.61	9.53	3.65	2.75	8.94	3.25
26°C	1.71	12.38	7.25	2.05	12.02	5.85	2.18	11.28	5.17	2.32	10.66	4.60	2.46	10.07	4.10	2.60	9.48	3.65	2.74	8.89	3.24
25°C	1.70	12.31	7.24	2.05	11.96	5.84	2.17	11.22	5.16	2.31	10.60	4.59	2.45	10.01	4.09	2.59	9.42	3.64	2.73	8.83	3.24
24°C	1.69	12.25	7.23	2.04	11.90	5.84	2.17	11.17	5.15	2.30	10.55	4.58	2.44	9.96	4.08	2.58	9.37	3.63	2.72	8.78	3.23
23°C	1.69	12.19	7.23	2.03	11.84	5.83	2.16	11.11	5.15	2.29	10.49	4.58	2.43	9.90	4.08	2.57	9.31	3.63	2.71	8.72	3.22
22°C	1.68	12.13	7.22	2.02	11.79	5.83	2.15	11.06	5.14	2.28	10.44	4.57	2.42	9.85	4.07	2.56	9.26	3.62	2.70	8.67	3.21
21°C	1.67	12.07	7.21	2.01	11.73	5.82	2.14	11.00	5.14	2.27	10.38	4.57	2.41	9.79	4.06	2.55	9.20	3.61	2.69	8.62	3.21
20°C	1.67	12.01	7.20	2.01	11.67	5.82	2.13	10.95	5.13	2.26	10.33	4.56	2.40	9.74	4.06	2.54	9.15	3.61	2.68	8.56	3.20
19°C	1.69	11.95	7.06	2.03	11.61	5.72	2.16	10.89	5.05	2.29	10.28	4.49	2.43	9.69	3.99	2.57	9.10	3.55	2.70	8.51	3.15
18°C	1.72	11.89	6.92	2.06	11.55	5.62	2.18	10.84	4.97	2.32	10.22	4.41	2.46	9.63	3.92	2.59	9.04	3.49	2.73	8.45	3.10
17°C	1.74	11.83	6.79	2.08	11.49	5.52	2.21	10.78	4.89	2.34	10.17	4.34	2.48	9.58	3.86	2.62	8.99	3.43	2.76	8.40	3.04
16°C	1.77	11.77	6.66	2.11	11.44	5.43	2.23	10.73	4.81	2.37	10.12	4.27	2.51	9.53	3.79	2.65	8.94	3.37	2.79	8.35	3.00
15°C	1.79	11.72	6.53	2.13	11.38	5.34	2.26	10.68	4.73	2.40	10.06	4.20	2.54	9.47	3.73	2.68	8.88	3.32	2.81	8.30	2.95
14°C	1.82	11.66	6.41	2.16	11.32	5.25	2.28	10.62	4.65	2.42	10.01	4.13	2.57	9.42	3.67	2.70	8.83	3.27	2.84	8.24	2.90
13°C	1.84	11.60	6.29	2.18	11.27	5.16	2.31	10.57	4.58	2.45	9.96	4.06	2.59	9.37	3.61	2.73	8.78	3.21	2.87	8.19	2.85
12°C	1.87	11.54	6.18	2.21	11.21	5.08	2.33	10.52	4.51	2.48	9.91	4.00	2.62	9.32	3.56	2.76	8.73	3.16	2.90	8.14	2.81
11°C	1.99	11.53	5.80	2.31	11.15	4.83	2.46	10.48	4.26	2.61	9.87	3.78	2.75	9.28	3.37	2.89	8.69	3.01	3.03	8.10	2.68
10°C	2.09	11.51	5.50	2.40	11.08	4.62	2.58	10.43	4.05	2.73	9.82	3.60	2.87	9.23	3.22	3.01	8.65	2.87	3.15	8.06	2.56
9°C	2.22	11.51	5.19	2.50	11.02	4.41	2.71	10.40	3.84	2.86	9.79	3.43	3.00	9.20	3.06	3.14	8.61	2.74	3.28	8.02	2.45
8°C	2.32	11.48	4.95	2.58	10.95	4.24	2.82	10.35	3.67	2.98	9.74	3.27	3.12	9.15	2.93	3.26	8.56	2.63	3.40	7.97	2.35
7°C	2.49	11.52	4.63	2.73	10.93	4.00	2.97	10.34	3.48	3.09	9.75	3.15	3.26	9.16	2.81	3.42	8.57	2.51	3.57	7.98	2.23
6°C	3.17	10.85	3.43	3.28	10.38	3.17	3.53	9.91	2.81	3.70	9.44	2.55	3.89	8.97	2.30	4.09	8.50	2.08	4.28	8.02	1.87
5°C	3.72	10.26	2.76	3.73	9.89	2.65	3.98	9.52	2.39	4.19	9.15	2.18	4.42	8.78	1.99	4.64	8.41	1.81	4.86	8.04	1.65
4°C	4.18	9.79	2.34	4.11	9.50	2.31	4.37	9.21	2.11	4.61	8.92	1.94	4.85	8.64	1.78	5.10	8.35	1.64	5.34	8.06	1.51
3°C	4.55	9.43	2.07	4.44	9.21	2.08	4.70	8.98	1.91	4.95	8.76	1.77	5.21	8.54	1.64	5.46	8.31	1.52	5.72	8.09	1.41
2°C	5.00	8.96	1.79	4.87	8.82	1.81	5.13	8.67	1.69	5.39	8.53	1.58	5.65	8.39	1.48	5.91	8.25	1.40	6.17	8.11	1.31
1°C	5.01	9.05	1.81	4.88	8.89	1.82	5.14	8.73	1.70	5.40	8.57	1.59	5.66	8.42	1.49	5.92	8.26	1.40	6.17	8.10	1.31
0°C	5.03	9.14	1.82	4.91	8.96	1.82	5.16	8.79	1.70	5.42	8.61	1.59	5.67	8.44	1.49	5.92	8.26	1.40	6.18	8.09	1.31
-1°C	5.06	9.23	1.82	4.96	9.03	1.82	5.20	8.84	1.70	5.45	8.65	1.59	5.69	8.46	1.49	5.94	8.27	1.39	6.18	8.08	1.31
-2°C	5.11	9.31	1.82	5.03	9.11	1.81	5.26	8.90	1.69	5.49	8.69	1.58	5.72	8.49	1.48	5.95	8.28	1.39	6.19	8.07	1.30
-3°C	5.16	9.40	1.82	5.11	9.18	1.80	5.33	8.96	1.68	5.54	8.73	1.58	5.76	8.51	1.48	5.98	8.29	1.39	6.20	8.06	1.30
-4°C	5.23	9.49	1.81	5.21	9.25	1.77	5.41	9.01	1.67	5.61	8.77	1.56	5.81	8.53	1.47	6.01	8.29	1.38	6.21	8.05	1.30
-5°C	5.32	9.58	1.80	5.34	9.33	1.75	5.51	9.07	1.65	5.69	8.81	1.55	5.86	8.56	1.46	6.04	8.30	1.37	6.22	8.04	1.29
-6°C	5.41	9.67	1.79	5.48	9.40	1.72	5.63	9.13	1.62	5.78	8.85	1.53	5.93	8.58	1.45	6.08	8.31	1.37	6.24	8.04	1.29
-7°C	5.52	9.76	1.77	5.64	9.47	1.68	5.76	9.18	1.59	5.88	8.89	1.51	6.00	8.60	1.43	6.12	8.32	1.36	6.25	8.03	1.28
-8°C	5.57	9.73	1.75	5.69	9.47	1.67	5.80	9.21	1.59	5.92	8.91	1.51	6.03	8.61	1.43	6.15	8.32	1.35	6.28	8.02	1.28
-9°C	5.62	9.70	1.73	5.73	9.47	1.65	5.84	9.23	1.58	5.96	8.93	1.50	6.07	8.62	1.42	6.18	8.32	1.35	6.31	8.01	1.27
-10°C	5.67	9.68	1.71	5.78	9.47	1.64	5.88	9.26	1.57	5.99	8.95	1.49	6.10	8.63	1.41	6.21	8.32	1.34	6.33	8.00	1.26
-11°C	5.74	9.48	1.65	5.84	9.30	1.59	5.94	9.11	1.53	6.04	8.82	1.46	6.14	8.52	1.39	6.24	8.22	1.32	6.30	8.00	1.00
-12°C	5.80	9.27	1.60	5.90	9.12	1.55	5.99	8.96	1.49	6.08	8.68	1.43	6.17	8.40	1.36	6.26	8.11	1.30	6.30	8.00	1.00
-13°C	5.86	9.06	1.55	5.94	8.93	1.50	6.03	8.79	1.46	6.11	8.53	1.40	6.19	8.26	1.33	6.27	7.99	1.27	6.30	8.00	1.00
-14°C	5.90	8.84	1.50	5.98	8.73	1.46	6.06	8.61	1.42	6.13	8.37	1.36	6.21	8.12	1.31	6.28	7.86	1.25	6.30	8.00	1.00
-15°C	5.93	8.61	1.45	6.00	8.52	1.42	6.08	8.41	1.38	6.15	8.19	1.33	6.21	7.96	1.28	6.30	7.80	1.23	6.30	8.00	1.00
-16°C	5.95	8.38	1.41	6.01	8.31	1.38	6.09	8.21	1.35	6.15	8.01	1.30	6.21	7.79	1.26	6.30	7.70	1.22	6.30	8.00	1.00
-17°C	5.96	8.14	1.37	6.01	8.08	1.34	6.08	8.00	1.32	6.14	7.82	1.27	6.19	7.61	1.23	6.30	7.60	1.21	6.30	8.00	1.00
-18°C	5.95	7.89	1.33	6.00	7.85	1.31	6.06	7.78	1.28	6.11	7.61	1.25	6.17	7.42	1.20	6.30	7.50	1.20	6.30	8.00	1.00
-19°C	5.93	7.64	1.29	5.97	7.61	1.27	6.02	7.56	1.25	6.08	7.40	1.22	6.12	7.20	1.18	6.30	7.40	1.18	6.30	8.00	1.00
-20°C	5.90	7.38	1.25	5.93	7.37	1.24	5.97	7.32	1.23	6.03	7.18	1.19	6.07	7.00	1.16	6.30	7.30	1.16	6.30	8.00	1.00

2.3.4 alféa extensa A.I. 10 and alféa extensa duo A.I. 10

		Température de départ																				
		25°C			30°C			35°C			40°C			45°C			50°C			55°C		
		Pabs	Pcal	COP	Pabs	Pcal	COP	Pabs	Pcal	COP	Pabs	Pcal	COP	Pabs	Pcal	COP	Pabs	Pcal	COP	Pabs	Pcal	COP
Température extérieure	35°C	2.09	17.77	8.48	2.91	17.32	5.95	3.06	16.01	5.22	3.19	15.54	4.87	3.30	15.29	4.64	3.40	15.04	4.43	3.50	14.79	4.23
	34°C	2.09	17.68	8.47	2.90	17.24	5.94	3.05	15.93	5.22	3.18	15.47	4.87	3.28	15.22	4.63	3.38	14.97	4.42	3.49	14.72	4.22
	33°C	2.08	17.59	8.47	2.89	17.15	5.93	3.04	15.85	5.21	3.16	15.39	4.86	3.27	15.14	4.63	3.37	14.89	4.42	3.47	14.64	4.22
	32°C	2.07	17.50	8.46	2.88	17.07	5.93	3.03	15.77	5.21	3.15	15.31	4.86	3.26	15.06	4.62	3.36	14.81	4.41	3.46	14.56	4.21
	31°C	2.06	17.42	8.45	2.87	16.98	5.92	3.02	15.69	5.20	3.14	15.23	4.85	3.24	14.98	4.62	3.34	14.73	4.41	3.44	14.48	4.21
	30°C	2.05	17.33	8.44	2.86	16.90	5.92	3.00	15.61	5.20	3.13	15.16	4.85	3.23	14.91	4.61	3.33	14.66	4.40	3.43	14.41	4.20
	29°C	2.05	17.24	8.43	2.84	16.81	5.91	2.99	15.54	5.19	3.11	15.08	4.84	3.22	14.83	4.61	3.32	14.58	4.39	3.42	14.33	4.19
	28°C	2.04	17.16	8.42	2.83	16.73	5.91	2.98	15.46	5.19	3.10	15.00	4.84	3.21	14.75	4.60	3.30	14.50	4.39	3.40	14.25	4.19
	27°C	2.03	17.07	8.42	2.82	16.65	5.90	2.97	15.38	5.18	3.09	14.93	4.83	3.19	14.68	4.60	3.29	14.43	4.38	3.39	14.18	4.18
	26°C	2.02	16.99	8.41	2.81	16.56	5.89	2.96	15.30	5.18	3.08	14.85	4.83	3.18	14.60	4.59	3.28	14.35	4.38	3.38	14.10	4.18
	25°C	2.01	16.90	8.40	2.80	16.48	5.89	2.94	15.23	5.17	3.06	14.78	4.82	3.17	14.53	4.59	3.27	14.28	4.37	3.36	14.03	4.17
	24°C	2.00	16.82	8.39	2.79	16.40	5.88	2.93	15.15	5.17	3.05	14.70	4.82	3.16	14.45	4.58	3.25	14.20	4.37	3.35	13.95	4.17
	23°C	2.00	16.74	8.38	2.78	16.32	5.88	2.92	15.08	5.16	3.04	14.63	4.81	3.14	14.38	4.58	3.24	14.13	4.36	3.34	13.88	4.16
	22°C	1.99	16.65	8.37	2.77	16.24	5.87	2.91	15.00	5.16	3.03	14.56	4.81	3.13	14.31	4.57	3.23	14.06	4.36	3.32	13.81	4.16
	21°C	1.98	16.57	8.36	2.75	16.16	5.86	2.90	14.93	5.15	3.02	14.48	4.80	3.12	14.23	4.57	3.21	13.98	4.35	3.31	13.73	4.15
	20°C	1.97	16.49	8.36	2.74	16.07	5.86	2.89	14.85	5.15	3.00	14.41	4.80	3.11	14.16	4.56	3.20	13.91	4.35	3.30	13.66	4.14
	19°C	2.02	16.41	8.14	2.77	15.99	5.77	2.91	14.78	5.07	3.03	14.34	4.74	3.12	14.09	4.51	3.22	13.84	4.30	3.31	13.59	4.10
	18°C	2.06	16.32	7.93	2.80	15.92	5.68	2.94	14.71	5.00	3.05	14.26	4.68	3.14	14.01	4.46	3.24	13.76	4.25	3.33	13.51	4.05
	17°C	2.10	16.24	7.73	2.83	15.84	5.60	2.97	14.63	4.92	3.07	14.19	4.62	3.16	13.94	4.41	3.26	13.69	4.20	3.35	13.44	4.01
	16°C	2.14	16.16	7.54	2.86	15.76	5.51	3.00	14.56	4.85	3.09	14.12	4.57	3.18	13.87	4.36	3.28	13.62	4.16	3.37	13.37	3.96
	15°C	2.19	16.08	7.35	2.89	15.68	5.43	3.03	14.49	4.78	3.11	14.05	4.51	3.20	13.80	4.31	3.30	13.55	4.11	3.30	13.30	3.92
14°C	2.23	16.00	7.17	2.91	15.60	5.35	3.06	14.42	4.72	3.14	13.98	4.46	3.22	13.73	4.26	3.31	13.48	4.07	3.41	13.23	3.88	
13°C	2.27	15.92	7.00	2.94	15.52	5.27	3.09	14.34	4.65	3.16	13.91	4.40	3.24	13.66	4.22	3.33	13.41	4.02	3.43	13.16	3.84	
12°C	2.32	15.84	6.84	2.97	15.45	5.20	3.11	14.27	4.58	3.18	13.84	4.35	3.26	13.59	4.17	3.35	13.34	3.98	3.45	13.09	3.80	
11°C	2.45	15.46	6.31	3.05	15.09	4.95	3.25	14.14	4.36	3.31	13.71	4.14	3.38	13.46	3.98	3.48	13.21	3.80	3.57	12.96	3.63	
10°C	2.57	15.07	5.86	3.11	14.73	4.73	3.37	14.00	4.16	3.42	13.56	3.97	3.49	13.31	3.81	3.59	13.06	3.64	3.68	12.81	3.48	
9°C	2.71	14.69	5.42	3.19	14.38	4.50	3.50	13.87	3.96	3.55	13.43	3.79	3.61	13.18	3.65	3.71	12.93	3.49	3.81	12.68	3.33	
8°C	2.83	14.29	5.05	3.26	14.01	4.30	3.62	13.72	3.79	3.66	13.29	3.63	3.72	13.04	3.50	3.82	12.79	3.35	3.91	12.54	3.20	
7°C	3.01	13.95	4.64	3.38	13.70	4.05	3.75	13.45	3.59	3.80	13.20	3.47	3.88	12.95	3.34	3.98	12.70	3.19	4.08	12.45	3.05	
6°C	3.75	13.50	3.60	4.09	13.18	3.23	4.37	12.87	2.94	4.46	12.56	2.82	4.55	12.25	2.69	4.67	11.94	2.56	4.78	11.62	2.43	
5°C	4.35	13.09	3.01	4.66	12.72	2.73	4.88	12.36	2.53	4.99	12.00	2.40	5.10	11.63	2.28	5.22	11.27	2.16	5.34	10.90	2.04	
4°C	4.84	12.76	2.64	5.14	12.36	2.40	5.31	11.95	2.25	5.43	11.54	2.12	5.56	11.13	2.00	5.69	10.73	1.89	5.81	10.32	1.78	
3°C	5.22	12.52	2.40	5.52	12.08	2.19	5.66	11.64	2.06	5.79	11.20	1.93	5.92	10.76	1.82	6.05	10.32	1.70	6.19	9.88	1.60	
2°C	5.68	12.20	2.15	5.97	11.71	1.96	6.11	11.23	1.84	6.24	10.75	1.72	6.37	10.26	1.61	6.51	9.78	1.50	6.64	9.30	1.40	
1°C	5.68	12.09	2.13	5.97	11.63	1.95	6.11	11.18	1.83	6.24	10.73	1.72	6.38	10.28	1.61	6.51	9.82	1.51	6.64	9.37	1.41	
0°C	5.68	11.98	2.11	5.97	11.56	1.94	6.11	11.13	1.82	6.25	10.71	1.71	6.39	10.29	1.61	6.53	9.87	1.51	6.65	9.45	1.42	
-1°C	5.69	11.87	2.09	5.97	11.48	1.92	6.11	11.09	1.81	6.26	10.70	1.71	6.40	10.31	1.61	6.55	9.92	1.51	6.67	9.53	1.43	
-2°C	5.69	11.76	2.07	5.97	11.40	1.91	6.12	11.04	1.80	6.28	10.68	1.70	6.43	10.32	1.61	6.58	9.96	1.51	6.70	9.60	1.43	
-3°C	5.69	11.65	2.05	5.96	11.32	1.90	6.13	10.99	1.79	6.30	10.66	1.69	6.46	10.34	1.60	6.63	10.01	1.51	6.74	9.68	1.44	
-4°C	5.70	11.54	2.03	5.96	11.24	1.89	6.14	10.95	1.78	6.32	10.65	1.68	6.50	10.35	1.59	6.68	10.05	1.50	6.78	9.76	1.44	
-5°C	5.70	11.43	2.01	5.96	11.17	1.87	6.15	10.90	1.77	6.35	10.63	1.67	6.55	10.37	1.58	6.74	10.10	1.50	6.83	9.83	1.44	
-6°C	5.70	11.32	1.98	5.95	11.09	1.86	6.17	10.85	1.76	6.38	10.62	1.66	6.60	10.38	1.57	6.82	10.14	1.49	6.89	9.91	1.44	
-7°C	5.71	11.21	1.96	5.95	11.01	1.85	6.19	10.80	1.75	6.42	10.60	1.65	6.66	10.39	1.56	6.90	10.19	1.48	6.95	9.99	1.44	
-8°C	5.76	11.16	1.94	5.99	10.96	1.83	6.21	10.76	1.73	6.44	10.54	1.64	6.66	10.32	1.55	6.89	10.11	1.47	6.94	9.89	1.42	
-9°C	5.81	11.11	1.91	6.02	10.91	1.81	6.24	10.71	1.72	6.45	10.48	1.62	6.67	10.25	1.54	6.88	10.02	1.46	6.93	9.79	1.41	
-10°C	5.86	11.06	1.89	6.06	10.87	1.79	6.26	10.67	1.70	6.47	10.43	1.61	6.67	10.18	1.53	6.87	9.94	1.45	6.91	9.69	1.40	
-11°C	5.93	10.83	1.82	6.13	10.66	1.74	6.33	10.49	1.66	6.51	10.27	1.58	6.69	10.04	1.50	6.87	9.81	1.43	3.00	3.00	1.00	
-12°C	6.00	10.58	1.76	6.19	10.44	1.69	6.39	10.30	1.61	6.54	10.09	1.54	6.70	9.89	1.48	6.85	9.67	1.41	3.00	3.00	1.00	
-13°C	6.06	10.32	1.70	6.24	10.21	1.64	6.43	10.09	1.57	6.56	9.91	1.51	6.69	9.71	1.45	6.83	9.51	1.39	3.00	3.00	1.00	
-14°C	6.10	10.06	1.65	6.28	9.97	1.59	6.46	9.87	1.53	6.57	9.70	1.48	6.68	9.53	1.43	6.79	9.34	1.37	3.00	3.00	1.00	
-15°C	6.14	9.78	1.59	6.31	9.72	1.54	6.48	9.63	1.49	6.57	9.49	1.44	6.66	9.33	1.40	3.00	3.00	1.00	3.00	3.00	1.00	
-16°C	6.16	9.50	1.54	6.32	9.46	1.50	6.49	9.39	1.45	6.56	9.26	1.41	6.63	9.11	1.37	3.00	3.00	1.00	3.00	3.00	1.00	
-17°C	6.17	9.20	1.49	6.32	9.18	1.45	6.48	9.13	1.41	6.54	9.01	1.38	6.59	8.88	1.35	3.00	3.00	1.00	3.00	3.00	1.00	
-18°C	6.16	8.91	1.45	6.31	8.90	1.41	6.46	8.86	1.37	6.50	8.76	1.35	6.54	8.64	1.32	3.00	3.00	1.00	3.00	3.00	1.00	
-19°C	6.14	8.60	1.40	6.27	8.61	1.37	6.42	8.58	1.34	6.45	8.50	1.32	3.00	3.00	1.00	3.00	3.00	1.00	3.00	3.00	1.00	
-20°C	6.10	8.29	1.36	6.23	8.31	1.33	6.37	8.29	1.30	6.39	8.22	1.29	3.00	3.00	1.00	3.00	3.00	1.00	3.00	3.00	1.00	

2.4 Nominal performances tables (Cooling mode)

Test conditions comply with EN 14-511.

CC : Cooling capacity (kW)
IP : Input power (kW)
EER : Energy Efficiency Rating

2.4.1 alféa extensa A.I. 5 and alféa extensa duo A.I. 5

		Starting temperature																				
		6°C			7°C			10°C			13°C			15°C			18°C			22°C		
		CC	IP	EER	CC	IP	EER	CC	IP	EER	CC	IP	EER	CC	IP	EER	CC	IP	EER	CC	IP	EER
Outdoor temperature	20°C	2.96	1.27	2.33	3.17	1.29	2.46	3.80	1.30	2.91	4.43	1.34	3.31	4.85	1.34	3.62	5.48	1.38	3.98	6.32	1.42	4.46
	21°C	2.96	1.28	2.31	3.17	1.31	2.42	3.80	1.32	2.87	4.43	1.36	3.26	4.85	1.37	3.54	5.48	1.41	3.90	6.32	1.45	4.37
	22°C	2.96	1.30	2.27	3.17	1.32	2.41	3.80	1.34	2.83	4.43	1.38	3.21	4.85	1.39	3.49	5.48	1.44	3.81	6.32	1.48	4.28
	23°C	2.96	1.32	2.24	3.17	1.34	2.37	3.80	1.36	2.79	4.43	1.41	3.14	4.85	1.41	3.44	5.48	1.47	3.74	6.32	1.52	4.16
	24°C	2.96	1.33	2.22	3.17	1.36	2.33	3.80	1.38	2.75	4.43	1.43	3.10	4.85	1.44	3.37	5.48	1.49	3.69	6.32	1.55	4.08
	25°C	2.96	1.35	2.19	3.17	1.38	2.30	3.80	1.40	2.71	4.43	1.45	3.06	4.85	1.46	3.32	5.48	1.52	3.61	6.32	1.58	4.01
	26°C	2.96	1.37	2.16	3.17	1.40	2.27	3.80	1.42	2.67	4.43	1.48	2.99	4.85	1.49	3.25	5.48	1.56	3.52	6.32	1.62	3.91
	27°C	2.96	1.39	2.13	3.17	1.42	2.24	3.80	1.44	2.63	4.43	1.51	2.93	4.85	1.52	3.19	5.48	1.59	3.45	6.32	1.66	3.81
	28°C	2.96	1.42	2.08	3.17	1.44	2.20	3.80	1.47	2.58	4.43	1.53	2.90	4.85	1.55	3.13	5.48	1.62	3.39	6.32	1.69	3.74
	29°C	2.96	1.44	2.05	3.17	1.47	2.16	3.80	1.50	2.53	4.43	1.56	2.84	4.85	1.57	3.09	5.48	1.64	3.35	6.32	1.71	3.70
	30°C	2.96	1.47	2.01	3.17	1.50	2.12	3.80	1.52	2.49	4.43	1.59	2.79	4.85	1.60	3.03	5.48	1.67	3.29	6.32	1.73	3.66
	31°C	2.96	1.50	1.97	3.17	1.52	2.09	3.80	1.55	2.45	4.43	1.61	2.75	4.85	1.63	2.97	5.48	1.69	3.25	6.32	1.76	3.60
	32°C	2.96	1.53	1.93	3.17	1.55	2.05	3.80	1.58	2.40	4.43	1.64	2.70	4.85	1.66	2.92	5.48	1.72	3.19	6.32	1.78	3.56
	33°C	2.96	1.55	1.91	3.17	1.58	2.01	3.80	1.61	2.35	4.43	1.67	2.65	4.85	1.69	2.87	5.48	1.75	3.14	6.32	1.81	3.50
	34°C	2.96	1.59	1.86	3.17	1.61	1.97	3.80	1.64	2.31	4.43	1.70	2.61	4.85	1.72	2.82	5.48	1.77	3.10	6.32	1.83	3.46
	35°C	2.96	1.62	1.82	3.17	1.64	1.94	3.80	1.68	2.26	4.43	1.73	2.56	4.85	1.76	2.76	5.48	1.81	3.03	6.32	1.87	3.38
	36°C	2.89	1.62	1.78	3.10	1.64	1.89	3.74	1.69	2.21	4.38	1.75	2.51	4.80	1.78	2.70	5.44	1.83	2.96	6.29	1.91	3.30
	37°C	2.81	1.62	1.74	3.03	1.64	1.84	3.67	1.70	2.16	4.33	1.76	2.46	4.75	1.80	2.64	5.39	1.86	2.89	6.25	1.94	3.21
	38°C	2.74	1.62	1.69	2.95	1.65	1.79	3.61	1.71	2.11	4.27	1.78	2.41	4.70	1.82	2.58	5.35	1.89	2.83	6.22	1.98	3.14
	39°C	2.67	1.62	1.65	2.88	1.65	1.75	3.54	1.72	2.06	4.22	1.79	2.36	4.64	1.84	2.52	5.30	1.92	2.76	6.18	2.02	3.06
40°C	2.59	1.61	1.61	2.81	1.65	1.70	3.48	1.73	2.01	4.17	1.81	2.31	4.59	1.86	2.47	5.26	1.95	2.70	6.15	2.06	2.99	
41°C	2.52	1.61	1.56	2.74	1.66	1.65	3.41	1.74	1.96	4.12	1.82	2.26	4.54	1.88	2.42	5.21	1.97	2.64	6.11	2.10	2.91	
42°C	2.44	1.61	1.52	2.67	1.66	1.61	3.35	1.75	1.92	4.07	1.84	2.22	4.49	1.90	2.36	5.17	2.00	2.58	6.08	2.14	2.85	
43°C	2.37	1.61	1.47	2.59	1.66	1.56	3.28	1.76	1.87	4.01	1.85	2.17	4.43	1.92	2.31	5.12	2.03	2.52	6.04	2.17	2.78	

2.4.2 alféa extensa A.I. 6 and alféa extensa duo A.I. 6

		Starting temperature																				
		6°C			7°C			10°C			13°C			15°C			18°C			22°C		
		CC	IP	EER	CC	IP	EER	CC	IP	EER	CC	IP	EER	CC	IP	EER	CC	IP	EER	CC	IP	EER
Outdoor temperature	20°C	4.07	1.33	3.06	4.22	1.34	3.15	4.64	1.28	3.62	5.07	1.23	4.13	5.35	1.17	4.56	5.77	1.13	5.12	6.34	1.16	5.47
	21°C	4.07	1.36	3.00	4.22	1.36	3.10	4.64	1.31	3.54	5.07	1.26	4.03	5.35	1.21	4.41	5.77	1.16	4.99	6.34	1.20	5.29
	22°C	4.07	1.38	2.95	4.22	1.38	3.06	4.64	1.33	3.48	5.07	1.29	3.94	5.35	1.24	4.30	5.77	1.20	4.82	6.34	1.23	5.16
	23°C	4.07	1.40	2.91	4.22	1.40	3.02	4.64	1.36	3.41	5.07	1.32	3.85	5.35	1.27	4.20	5.77	1.23	4.71	6.34	1.27	5.00
	24°C	4.07	1.43	2.85	4.22	1.43	2.95	4.64	1.38	3.36	5.07	1.35	3.76	5.35	1.31	4.07	5.77	1.27	4.56	6.34	1.31	4.84
	25°C	4.07	1.45	2.81	4.22	1.45	2.91	4.64	1.41	3.29	5.07	1.38	3.68	5.35	1.34	3.98	5.77	1.31	4.42	6.34	1.35	4.70
	26°C	4.07	1.48	2.75	4.22	1.48	2.85	4.64	1.44	3.22	5.07	1.41	3.60	5.35	1.38	3.87	5.77	1.35	4.29	6.34	1.39	4.56
	27°C	4.07	1.51	2.70	4.22	1.51	2.80	4.64	1.48	3.13	5.07	1.45	3.50	5.35	1.42	3.76	5.77	1.40	4.13	6.34	1.44	4.41
	28°C	4.07	1.55	2.63	4.22	1.54	2.74	4.64	1.51	3.07	5.07	1.49	3.41	5.35	1.47	3.63	5.77	1.44	4.02	6.34	1.48	4.29
	29°C	4.07	1.58	2.58	4.22	1.58	2.67	4.64	1.55	2.99	5.07	1.53	3.32	5.35	1.51	3.54	5.77	1.49	3.88	6.34	1.52	4.17
	30°C	4.07	1.62	2.52	4.22	1.61	2.62	4.64	1.59	2.91	5.07	1.57	3.23	5.35	1.55	3.44	5.77	1.53	3.78	6.34	1.56	4.07
	31°C	4.07	1.65	2.47	4.22	1.65	2.56	4.64	1.63	2.84	5.07	1.62	3.13	5.35	1.60	3.34	5.77	1.58	3.66	6.34	1.60	3.96
	32°C	4.07	1.69	2.41	4.22	1.69	2.50	4.64	1.67	2.78	5.07	1.66	3.06	5.35	1.65	3.24	5.77	1.63	3.55	6.34	1.64	3.87
	33°C	4.07	1.73	2.36	4.22	1.73	2.44	4.64	1.72	2.69	5.07	1.71	2.97	5.35	1.69	3.16	5.77	1.68	3.44	6.34	1.69	3.75
	34°C	4.07	1.77	2.30	4.22	1.77	2.38	4.64	1.76	2.63	5.07	1.76	2.88	5.35	1.74	3.07	5.77	1.74	3.32	6.34	1.74	3.65
	35°C	4.07	1.82	2.24	4.22	1.82	2.32	4.64	1.81	2.56	5.07	1.81	2.80	5.35	1.80	2.97	5.77	1.80	3.21	6.34	1.79	3.54
	36°C	3.87	1.76	2.19	4.01	1.77	2.27	4.43	1.76	2.51	4.85	1.76	2.76	5.11	1.76	2.91	5.53	1.75	3.16	6.09	1.75	3.47
	37°C	3.66	1.71	2.14	3.81	1.72	2.22	4.21	1.71	2.46	4.63	1.70	2.72	4.88	1.71	2.85	5.28	1.70	3.11	5.84	1.72	3.39
	38°C	3.46	1.65	2.09	3.60	1.66	2.16	4.00	1.66	2.41	4.41	1.65	2.67	4.64	1.67	2.78	5.03	1.65	3.06	5.58	1.68	3.32
	39°C	3.25	1.60	2.03	3.40	1.61	2.11	3.78	1.61	2.35	4.19	1.60	2.62	4.41	1.62	2.72	4.79	1.60	3.00	5.33	1.65	3.23
40°C	3.04	1.54	1.97	3.19	1.56	2.04	3.57	1.56	2.29	3.98	1.55	2.57	4.17	1.58	2.65	4.54	1.55	2.93	5.08	1.61	3.15	
41°C	2.84	1.49	1.90	2.99	1.51	1.98	3.35	1.51	2.22	3.76	1.50	2.51	3.94	1.53	2.57	4.29	1.50	2.87	4.83	1.58	3.06	
42°C	2.63	1.43	1.83	2.78	1.46	1.91	3.14	1.46	2.15	3.54	1.45	2.45	3.70	1.49	2.49	4.05	1.45	2.80	4.58	1.54	2.96	
43°C	2.42	1.38	1.76	2.58	1.41	1.83	2.92	1.41	2.08	3.32	1.40	2.38	3.47	1.44	2.40	3.80	1.40	2.72	4.32	1.51	2.86	

2.4.3 alféa extensa A.I. 8 and alféa extensa duo A.I. 8

		Starting temperature																				
		6°C			7°C			10°C			13°C			15°C			18°C			22°C		
		CC	IP	EER	CC	IP	EER	CC	IP	EER	CC	IP	EER	CC	IP	EER	CC	IP	EER	CC	IP	EER
Outdoor temperature	20°C	5.78	1.93	2.99	5.95	1.92	3.10	6.48	1.85	3.51	7.01	1.80	3.90	7.36	1.76	4.17	7.89	1.71	4.61	8.60	1.67	5.15
	21°C	5.78	1.95	2.96	5.95	1.94	3.07	6.48	1.89	3.43	7.01	1.84	3.82	7.36	1.80	4.08	7.89	1.76	4.48	8.60	1.72	5.00
	22°C	5.78	1.98	2.92	5.95	1.97	3.02	6.48	1.92	3.38	7.01	1.87	3.76	7.36	1.84	3.99	7.89	1.80	4.38	8.60	1.77	4.86
	23°C	5.78	2.01	2.87	5.95	2.00	2.98	6.48	1.95	3.33	7.01	1.91	3.68	7.36	1.89	3.89	7.89	1.85	4.26	8.60	1.83	4.70
	24°C	5.78	2.03	2.84	5.95	2.03	2.93	6.48	1.99	3.26	7.01	1.95	3.60	7.36	1.93	3.81	7.89	1.90	4.15	8.60	1.88	4.57
	25°C	5.78	2.06	2.80	5.95	2.06	2.89	6.48	2.03	3.20	7.01	2.00	3.51	7.36	1.98	3.71	7.89	1.96	4.02	8.60	1.94	4.43
	26°C	5.78	2.09	2.76	5.95	2.09	2.85	6.48	2.06	3.15	7.01	2.04	3.44	7.36	2.03	3.62	7.89	2.01	3.92	8.60	2.00	4.30
	27°C	5.78	2.12	2.72	5.95	2.13	2.79	6.48	2.11	3.07	7.01	2.09	3.36	7.36	2.09	3.52	7.89	2.07	3.81	8.60	2.08	4.13
	28°C	5.78	2.18	2.65	5.95	2.19	2.72	6.48	2.17	2.99	7.01	2.15	3.27	7.36	2.15	3.42	7.89	2.14	3.68	8.60	2.14	4.02
	29°C	5.78	2.24	2.58	5.95	2.24	2.66	6.48	2.23	2.91	7.01	2.22	3.16	7.36	2.21	3.32	7.89	2.20	3.58	8.60	2.20	3.91
	30°C	5.78	2.30	2.51	5.95	2.30	2.59	6.48	2.29	2.83	7.01	2.28	3.08	7.36	2.28	3.22	7.89	2.26	3.49	8.60	2.27	3.79
	31°C	5.78	2.36	2.45	5.95	2.36	2.52	6.48	2.35	2.76	7.01	2.35	2.99	7.36	2.34	3.14	7.89	2.33	3.38	8.60	2.33	3.69
	32°C	5.78	2.43	2.38	5.95	2.43	2.45	6.48	2.42	2.68	7.01	2.42	2.90	7.36	2.41	3.05	7.89	2.40	3.28	8.60	2.40	3.58
	33°C	5.78	2.49	2.32	5.95	2.49	2.39	6.48	2.49	2.61	7.01	2.49	2.82	7.36	2.48	2.96	7.89	2.47	3.19	8.60	2.47	3.48
	34°C	5.78	2.56	2.26	5.95	2.56	2.33	6.48	2.56	2.53	7.01	2.56	2.74	7.36	2.55	2.88	7.89	2.54	3.10	8.60	2.55	3.37
	35°C	5.78	2.64	2.19	5.95	2.64	2.25	6.48	2.64	2.46	7.01	2.64	2.66	7.36	2.63	2.79	7.89	2.63	3.00	8.60	2.63	3.27
	36°C	5.60	2.62	2.14	5.77	2.61	2.21	6.28	2.59	2.42	6.79	2.58	2.63	7.12	2.58	2.76	7.63	2.57	2.97	8.31	2.56	3.25
	37°C	5.43	2.59	2.10	5.58	2.57	2.17	6.07	2.55	2.38	6.56	2.53	2.60	6.87	2.52	2.73	7.36	2.50	2.94	8.02	2.48	3.23
	38°C	5.26	2.57	2.05	5.39	2.54	2.12	5.87	2.51	2.34	6.34	2.47	2.56	6.63	2.46	2.70	7.09	2.43	2.92	7.73	2.41	3.20
	39°C	5.08	2.54	2.00	5.20	2.50	2.08	5.66	2.46	2.30	6.12	2.42	2.53	6.38	2.40	2.66	6.83	2.37	2.89	7.43	2.34	3.18
40°C	4.91	2.52	1.95	5.01	2.47	2.03	5.46	2.42	2.26	5.90	2.37	2.49	6.14	2.34	2.62	6.56	2.30	2.85	7.14	2.26	3.15	
41°C	4.74	2.49	1.90	4.83	2.44	1.98	5.25	2.37	2.21	5.67	2.31	2.45	5.89	2.28	2.58	6.29	2.23	2.82	6.85	2.19	3.13	
42°C	4.56	2.47	1.85	4.64	2.40	1.93	5.05	2.33	2.17	5.45	2.26	2.41	5.65	2.22	2.54	6.03	2.17	2.78	6.56	2.12	3.10	
43°C	4.39	2.44	1.80	4.45	2.37	1.88	4.84	2.29	2.12	5.23	2.20	2.37	5.40	2.16	2.50	5.76	2.10	2.75	6.27	2.04	3.07	

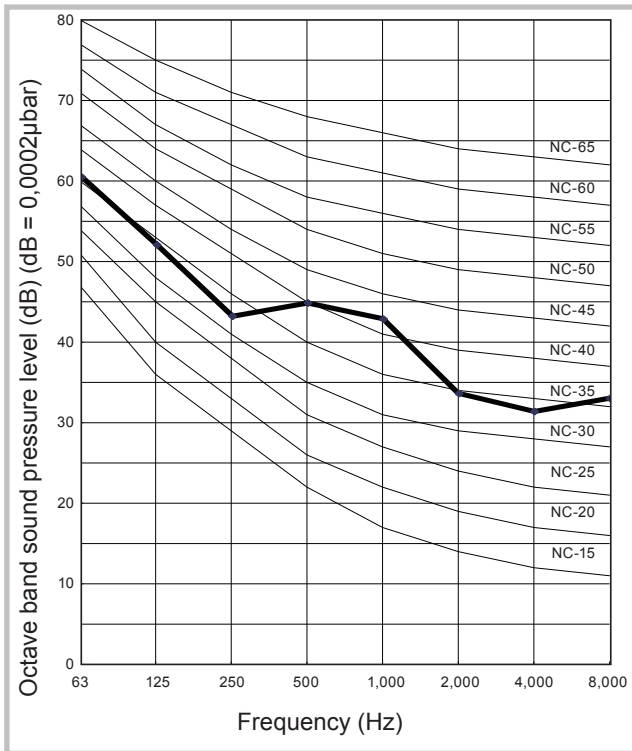
2.4.4 alféa extensa A.I. 10 and alféa extensa duo A.I. 10

		Starting temperature																				
		6°C			7°C			10°C			13°C			15°C			18°C			22°C		
		CC	IP	EER	CC	IP	EER	CC	IP	EER	CC	IP	EER	CC	IP	EER	CC	IP	EER	CC	IP	EER
Outdoor temperature	20°C	7.05	2.29	3.08	7.28	2.30	3.17	7.98	2.23	3.58	8.68	2.24	3.88	9.14	2.20	4.16	9.84	2.18	4.51	10.77	2.18	4.95
	21°C	7.05	2.33	3.03	7.28	2.33	3.13	7.98	2.27	3.51	8.68	2.29	3.79	9.14	2.25	4.07	9.84	2.23	4.41	10.77	2.24	4.82
	22°C	7.05	2.36	2.99	7.28	2.37	3.08	7.98	2.31	3.45	8.68	2.34	3.71	9.14	2.31	3.97	9.84	2.29	4.29	10.77	2.30	4.69
	23°C	7.05	2.39	2.95	7.28	2.40	3.04	7.98	2.35	3.39	8.68	2.39	3.63	9.14	2.36	3.88	9.84	2.35	4.18	10.77	2.36	4.57
	24°C	7.05	2.43	2.91	7.28	2.44	2.99	7.98	2.39	3.34	8.68	2.44	3.56	9.14	2.41	3.80	9.84	2.40	4.10	10.77	2.42	4.46
	25°C	7.05	2.47	2.86	7.28	2.48	2.94	7.98	2.44	3.27	8.68	2.50	3.47	9.14	2.47	3.71	9.84	2.47	3.98	10.77	2.49	4.33
	26°C	7.05	2.50	2.82	7.28	2.52	2.90	7.98	2.48	3.22	8.68	2.55	3.41	9.14	2.53	3.62	9.84	2.53	3.89	10.77	2.56	4.21
	27°C	7.05	2.55	2.77	7.28	2.56	2.85	7.98	2.54	3.14	8.68	2.62	3.32	9.14	2.60	3.52	9.84	2.60	3.78	10.77	2.64	4.08
	28°C	7.05	2.62	2.69	7.28	2.63	2.77	7.98	2.61	3.06	8.68	2.68	3.24	9.14	2.66	3.44	9.84	2.66	3.70	10.77	2.69	4.01
	29°C	7.05	2.68	2.63	7.28	2.69	2.71	7.98	2.67	2.99	8.68	2.74	3.17	9.14	2.72	3.37	9.84	2.72	3.62	10.77	2.75	3.92
	30°C	7.05	2.75	2.57	7.28	2.76	2.64	7.98	2.74	2.91	8.68	2.79	3.11	9.14	2.78	3.29	9.84	2.78	3.54	10.77	2.80	3.85
	31°C	7.05	2.82	2.50	7.28	2.83	2.58	7.98	2.81	2.84	8.68	2.85	3.05	9.14	2.85	3.21	9.84	2.84	3.46	10.77	2.86	3.77
	32°C	7.05	2.89	2.44	7.28	2.90	2.52	7.98	2.88	2.77	8.68	2.92	2.97	9.14	2.91	3.15	9.84	2.90	3.39	10.77	2.92	3.69
	33°C	7.05	2.97	2.38	7.28	2.98	2.45	7.98	2.96	2.69	8.68	2.98	2.91	9.14	2.98	3.07	9.84	2.97	3.31	10.77	2.98	3.62
	34°C	7.05	3.05	2.31	7.28	3.05	2.39	7.98	3.04	2.62	8.68	3.05	2.85	9.14	3.05	3.00	9.84	3.04	3.24	10.77	3.04	3.55
	35°C	7.05	3.14	2.25	7.28	3.14	2.32	7.98	3.13	2.55	8.68	3.13	2.77	9.14	3.13	2.93	9.84	3.12	3.15	10.77	3.12	3.46
	36°C	6.75	3.07	2.20	6.96	3.09	2.25	7.63	3.07	2.49	8.30	3.07	2.71	8.74	3.07	2.85	9.41	3.06	3.07	10.31	3.07	3.36
	37°C	6.44	2.99	2.15	6.63	3.05	2.17	7.28	3.00	2.43	7.93	3.01	2.64	8.33	3.01	2.77	8.97	3.01	2.99	9.84	3.03	3.25
	38°C	6.14	2.92	2.10	6.30	3.01	2.10	6.93	2.93	2.36	7.55	2.94	2.56	7.93	2.95	2.69	8.54	2.95	2.90	9.37	2.98	3.15
	39°C	5.84	2.85	2.05	5.98	2.96	2.02	6.58	2.87	2.29	7.17	2.88	2.49	7.52	2.89	2.60	8.10	2.89	2.80	8.91	2.93	3.04
40°C	5.53	2.78	1.99	5.65	2.92	1.94	6.23	2.80	2.22	6.79	2.82	2.41	7.12	2.83	2.52	7.67	2.83	2.71	8.44	2.89	2.92	
41°C	5.23	2.71	1.93	5.32	2.88	1.85	5.87	2.74	2.15	6.42	2.76	2.32	6.71	2.77	2.42	7.23	2.77	2.61	7.97	2.84	2.81	
42°C	4.93	2.64	1.87	5.00	2.83	1.76	5.52	2.67	2.07	6.04	2.70	2.24	6.31	2.71	2.33	6.80	2.71	2.50	7.51	2.79	2.69	
43°C	4.62	2.57	1.80	4.67	2.79	1.67	5.17	2.60	1.99	5.66	2.64	2.15	5.90	2.65	2.23	6.36	2.66	2.40	7.04	2.75	2.56	

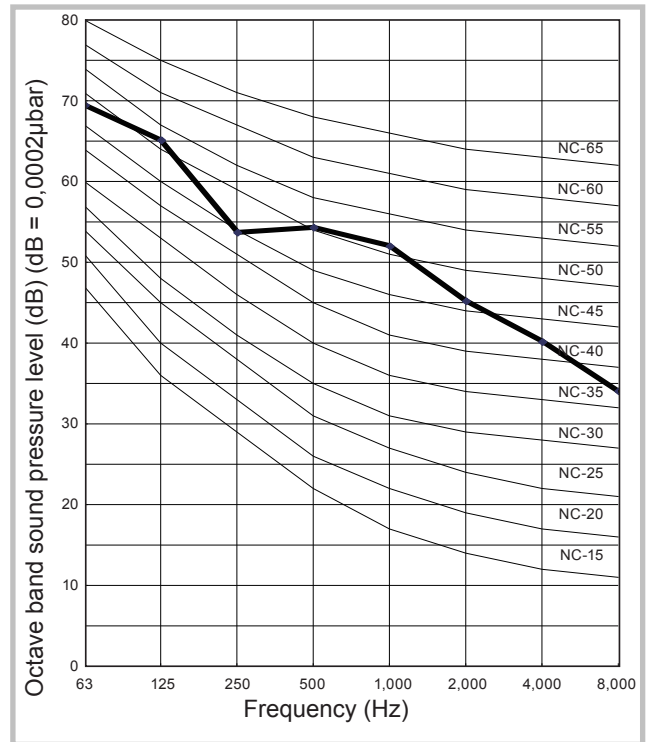
2.5 Sound power of the outdoor unit

2.5.1 Sound power curves in heating mode

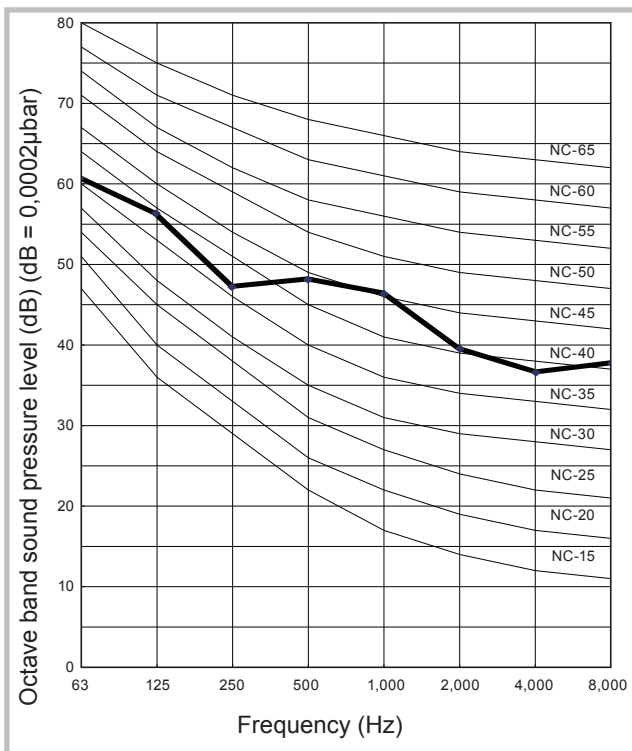
alféa extensa A.I. 5 / duo A.I. 5



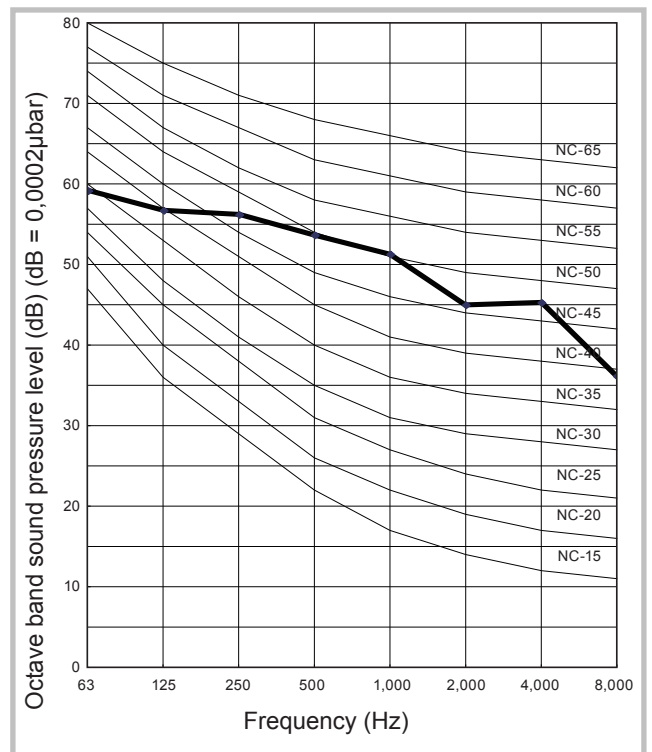
alféa extensa A.I. 8 / duo A.I. 8



alféa extensa A.I. 6 / duo A.I. 6

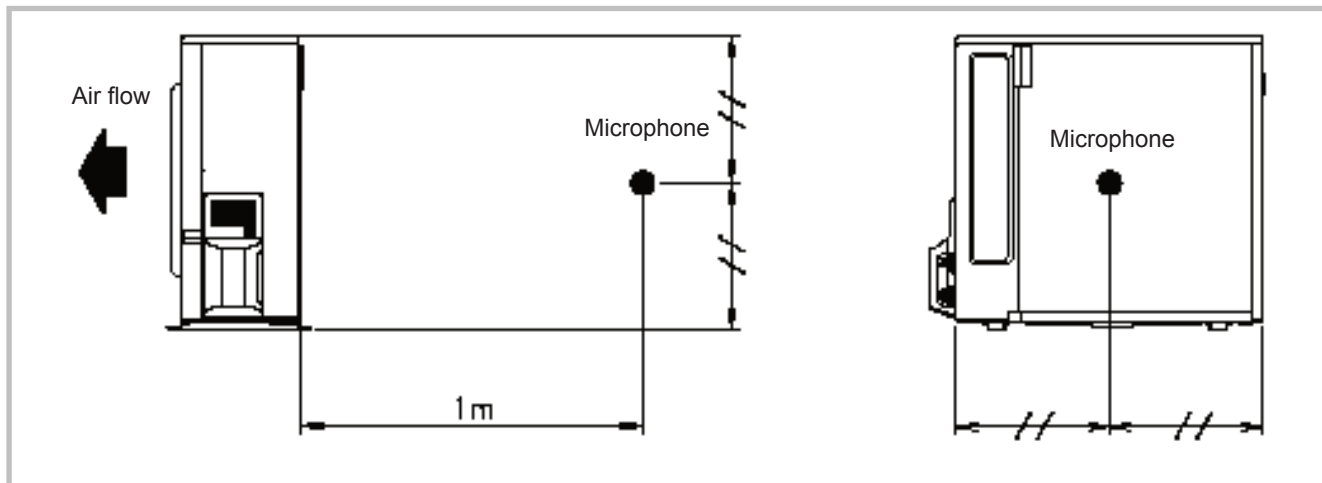


alféa extensa A.I. 10 / duo A.I. 10

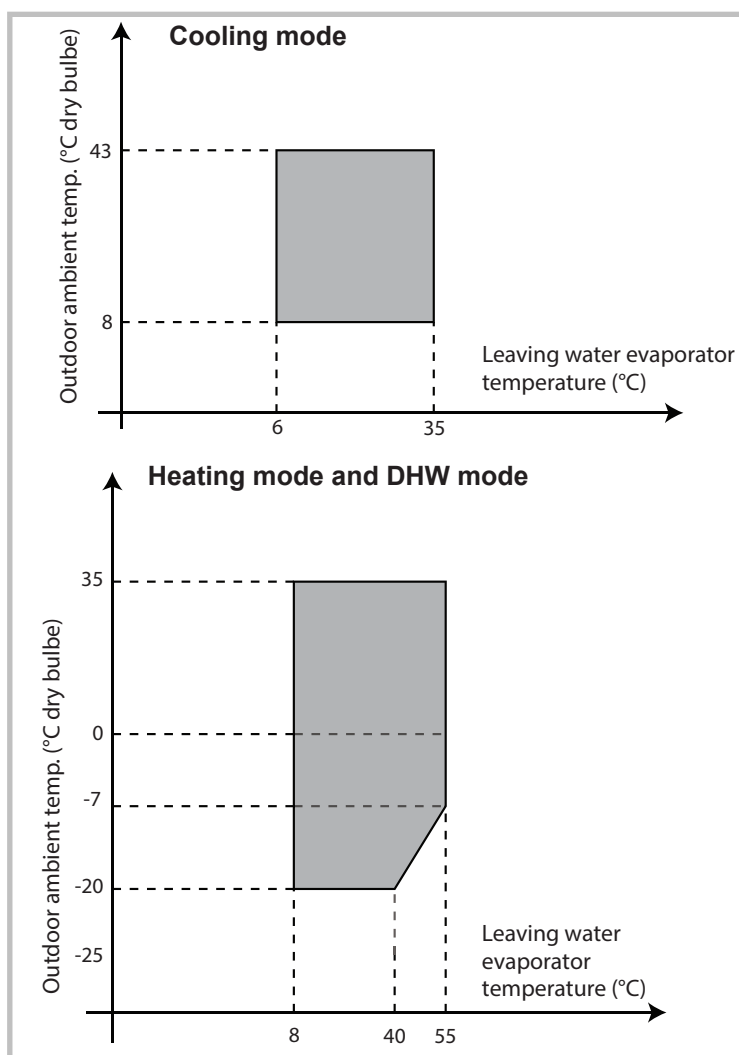


NC : Level of acoustic comfort

2.5.2 Sound level check point



2.6 Recommended operation range



2.7 Safety devices

2.7.1 Outdoor unit

		alféa extensa A.I. 5 / alféa extensa duo A.I. 5	alféa extensa A.I. 6 / alféa extensa duo A.I. 6	alféa extensa A.I. 8 / alféa extensa duo A.I. 8	alféa extensa A.I. 10 / alféa extensa duo A.I. 10
Calibre curve C breaker		16 A		20 A	
Circuit protection	Fuse (near power supply)	20 A 250 V		25 A 250 V	
		5 A 250 V			
	Fuse (Main PCB)	15 A 250 V		3,15 A 250 V	
		10 A 250 V			
		3.15 A 250 V			
Fan protection	Thermal protector	OFF : 100 ±10°C ON : 95 ±10°C			OFF : 150 ±15°C ON : 120 ±15°C
Compressor protection	Thermal protection program (Compressor temp.)	OFF : 108°C ON : 80°C			
	Thermal protection program (Discharge temp.)	OFF : 110°C ON : after 7 minutes			
High pressure protection	Thermal protection program (Heat exchanger temp.)	OFF : 67°C ON : 63°C			
	Pressure sensor	OFF : 4.2 MPa ON : 3.0 MPa			
Low pressure protection (cool mode)	Pressure sensor	OFF : 0.12 MPa ON : 0.15 MPa			

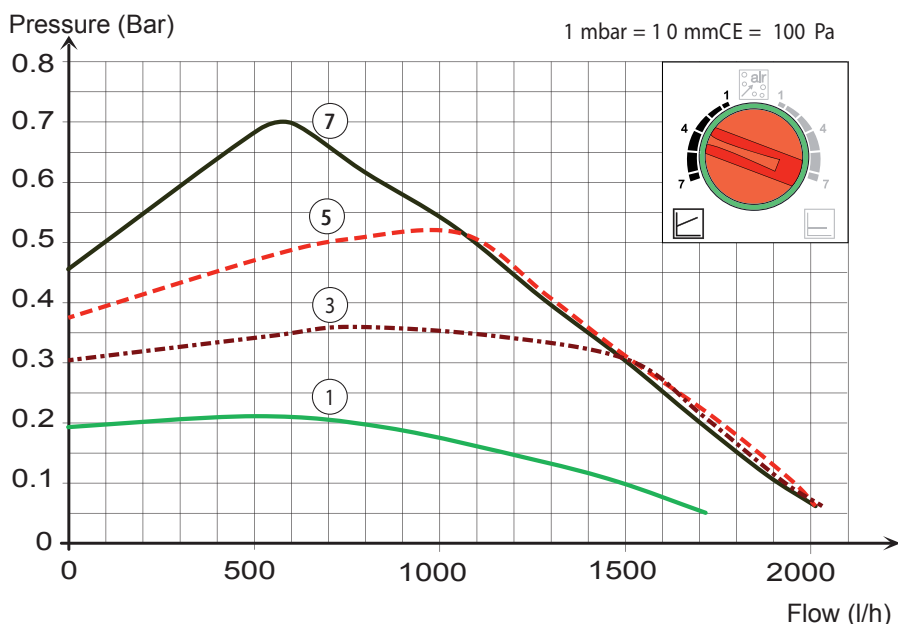
2.7.2 Hydraulic unit

			alféa extensa A.I.	alféa extensa duo A.I.
Circuit protection back-ups PAC curve C	If back-up 3kW		16 A	
	If back-up 6kW		32 A	
High pressure protection	Safety valve		3 bar	
Outgoing temperature max. protection	Back-up single phase	Regulator	+80 °C	

3. Hydraulic circuit

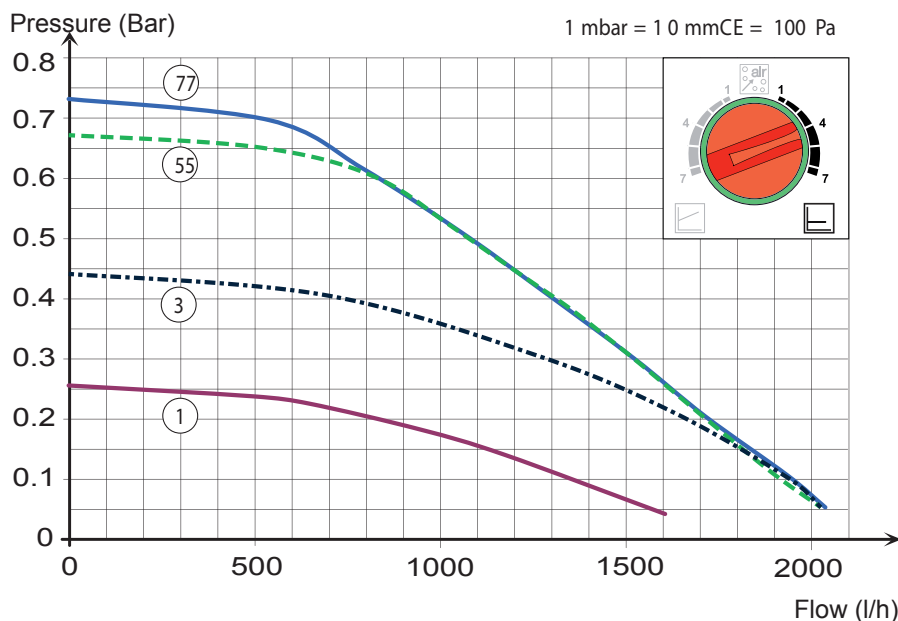
3.1 Available pressures

Variable pressure



Recommended for an installation radiators equipped (especially any system with thermostatic heads or solenoid zone).

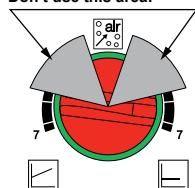
Constant pressure



Recommended for an installation at floor heating at constant pressure drop.


Warning :

Don't use this area.



 Variable pressure

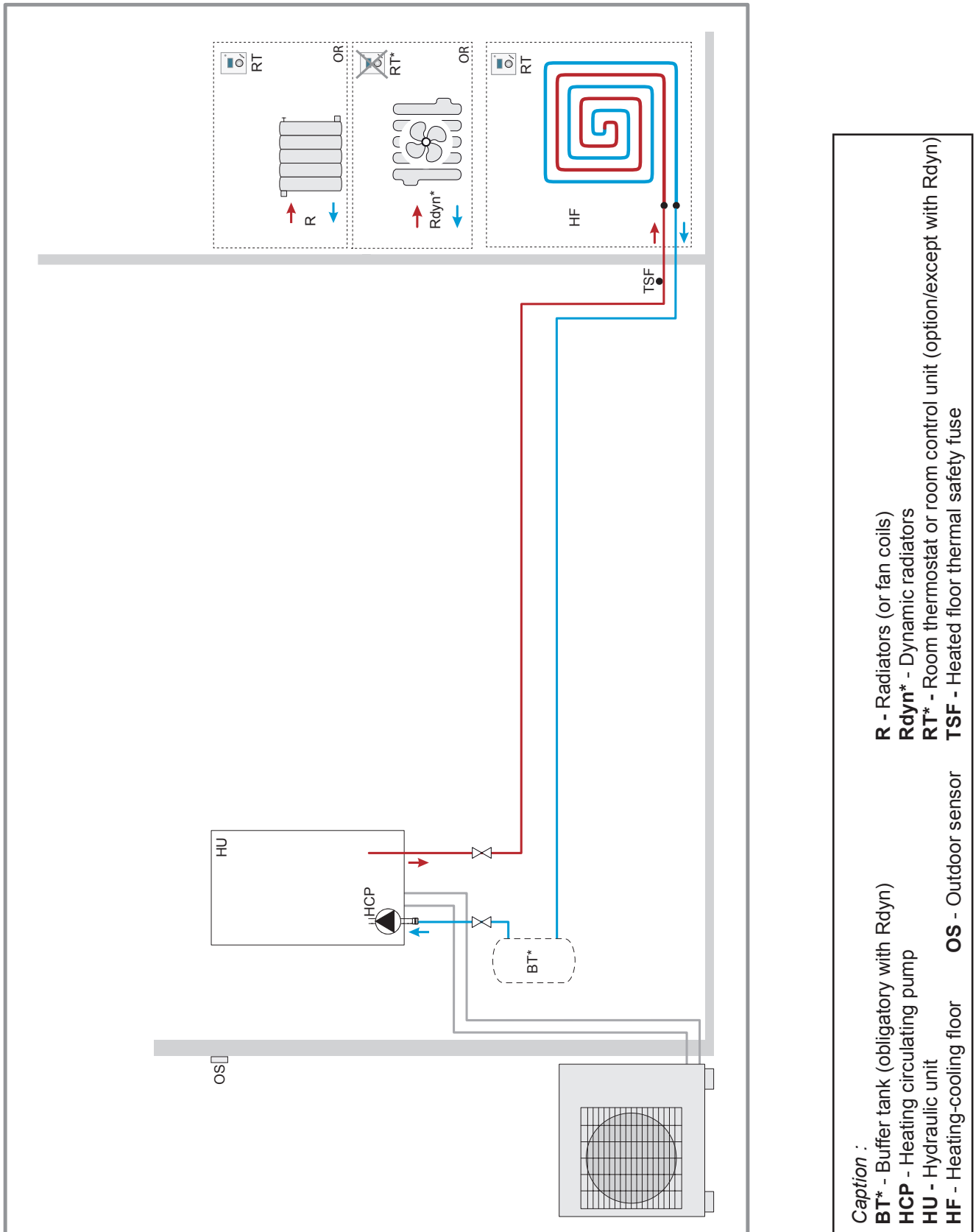
 Venting

 Constant pressure

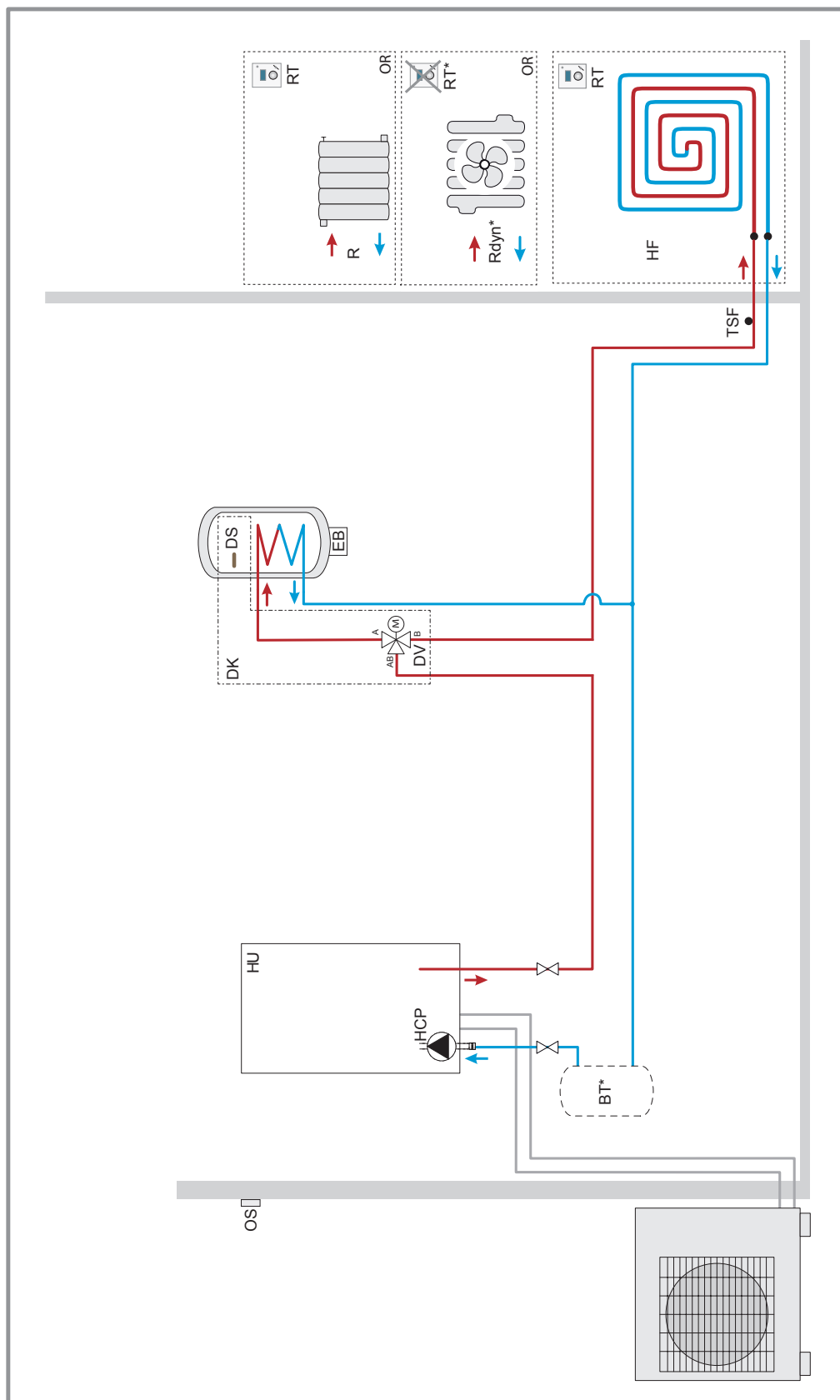
3.2 Overall hydraulic layout

3.2.1 alféa extensa A.I.

- Configuration 1 : 1 heating circuit



- Configuration 1 : 1 heating circuit and DHW tank



Caption :

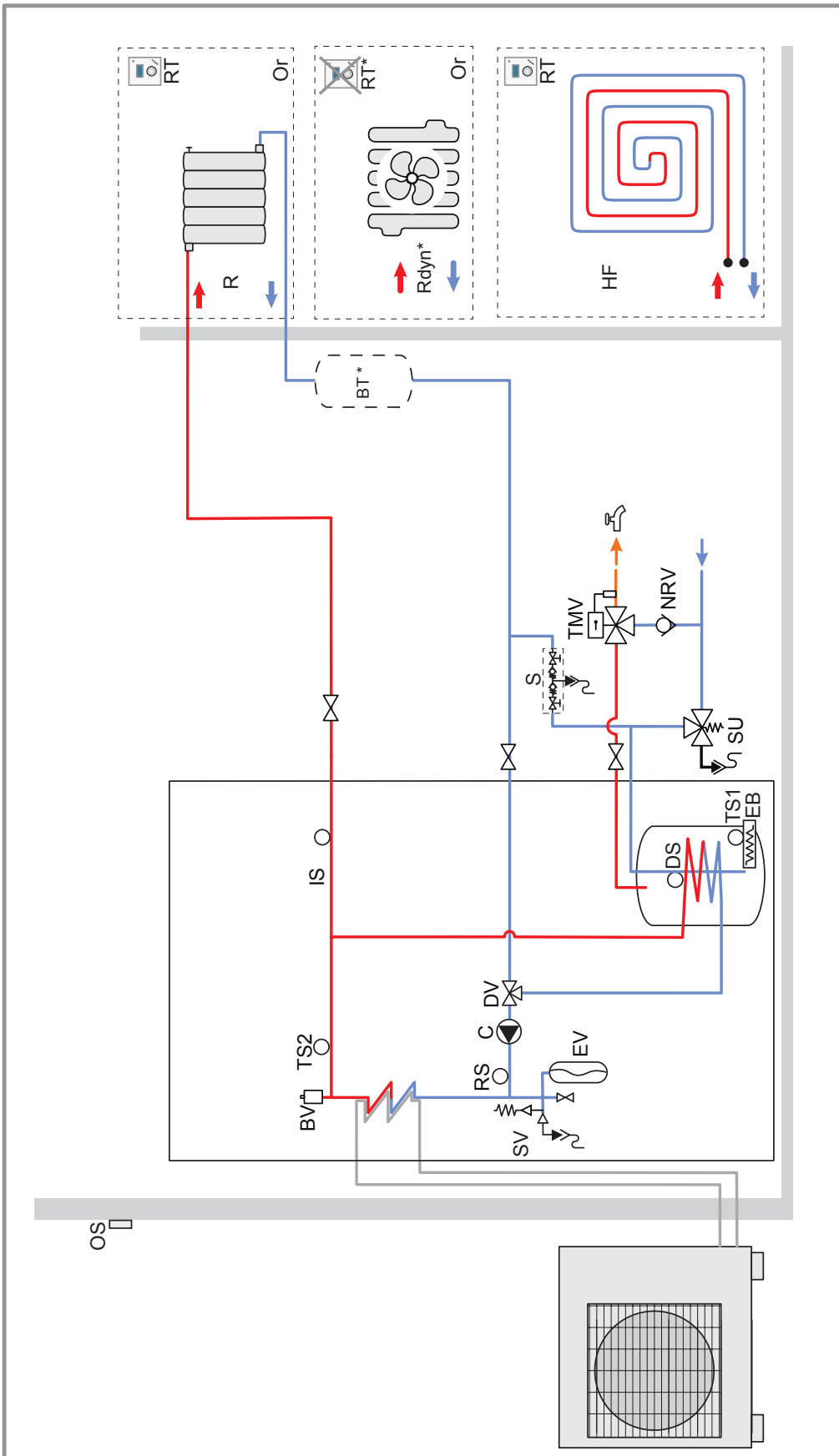
EB - Electrical back-up heater
BT* - Buffer tank (obligatory with Rdyn, if HP>11kW)
HCP - Heating circulating pump
DK - DHW kit
HU - Hydraulic unit

HF - Heating-cooling floor
R - Radiators (or fan coils)
Rdyn* - Dynamic radiators
RT* - Room thermostat or room control unit (option/except with Rdyn)
DS - DHW sensor

OS - Outdoor sensor
DV - Distribution valve
TSF - Heated floor thermal safety fuse

3.2.2 alféa extensa duo A.I.

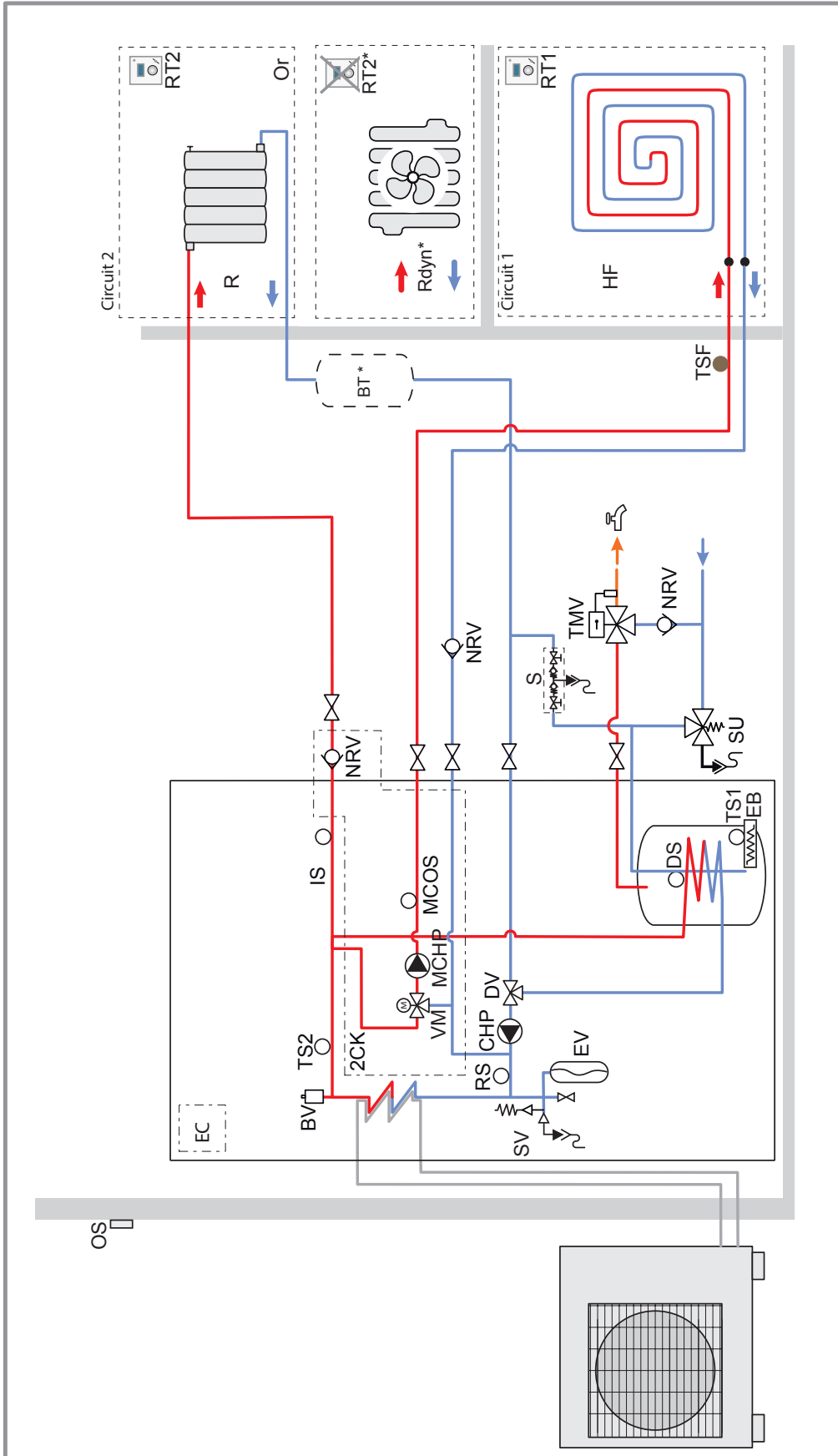
- Configuration 1 : 1 heating circuit



Caption :

- | | | | |
|--|---|---|--------------------------------|
| EB - Electrical back-up heater | MTV - Thermostatic mixer valve | TS1 - Temperature safety of domestic electrical back-up | DS - DHW sensor |
| NRV - Non-return valve | HF - Heating-cooling floor | TS2 - Temperature safety (option Heating back-up option) | SV - Safety valve |
| HCP - heating circulating pump | BV - Bleeder valve | IS - HP Initial sensor | DV - Distribution valve |
| S - Shut-off | R - Radiators (or fan coils) | OS - Outdoor sensor | EV - Expansion vessel |
| SU - Safety unit | RT* - Room thermostat or room control unit (option/except with Rdyn) | Rdyn* - Dynamic radiators | RS - Return sensor |
| BT* - Buffer tank (mandatory with Rdyn, if HP>11kW) | | | |

• Configuration 2 : 2 heating circuits



Caption :

EB - Electrical back-up heating	2CK - 2nd circuit kit	DS - DHW sensor	EV - Expansion vessel
EC - Extension card, 2 circuits	MTV - Thermostatic mixer valve	TS1 - Temperature safety of domestic electrical back-up	SV - Safety valve
NRV - Non-return valve	HF - Heating-cooling floor	TS2 - Temperature safety (option Heating back-up option)	DV - Distribution valve
HCP - Heating circulating pump	BV - Bleeder valve	IS - HP Initial sensor	VM - Vanne mélangeuse circuit
MCHP - Mixed-circuit heat pump	R - Radiators (or fan coils)	OS - Outdoor sensor	
B - Breaker	RT1 - Room thermostat circuit 1 (option)	TSF - Heated floor thermal safety fuse	
SU - Safety unit	RT2 - Room thermostat circuit 2 (option)	RS - Return sensor	

4. Options

Function	Name	Reference	alféa extensa A.I.	alféa extensa duo A.I.
Ambient sensor	NAVILINK A59	074 208	•	•
	NAVILINK A75	074 213	•	•
	NAVILINK A78	074 214	•	•
COZYT TOUCH	Cozytouch A.I. Kit	501 000	•	•
DHW	MILEO 200	090 881	•	
	MILEO 300	090 882	•	
	MILEO + 200	090 885	•	
	MILEO + 300	080 886	•	
	DHW kit	073 991	•	
	Expansion vessel duo kit	075 118		•
Connection	Hydraulic kit Duo exit (1 zone)	075 526		•
	Hydraulic kit Duo exit (2 zones)	075 522		•
2 Zones	Split 2 Zones kit	570 630	•	
	Split Duo 2 Zones kit (regul exterior kit included)	570 629		•
Boiler connection	Boiler connection kit	073 989	•	
	Boiler connection duo kit	073 990		•
	Bottle decoupling	073 957	•	•
Cooling	Cooling kit	075 328	•	•
Others	Relay kit 6 kW	075 327	•	•
Buffer tank	BT 25	700 436	•	•
	BT 50	700 437	•	•
Indoor unit integration ⁽¹⁾	Wall In grid	073 325	•	•
	Wall In frame	073 326	•	•
	Wall In box	073 327	•	•
Accessories for outdoor unit	Anti-vibration blocks (x4)	523 574	•	•
	White PVC floor support (x2)	809 532	•	•
	Cap for floor support (x4)	809 540	•	•
	Black rubber floor support (x2)	809 536	•	•
	Wall bracket ⁽²⁾ 600 mm (with bar)	875 033	•	•
	Heater for drain pan	809 644	•	•
	Drain pan models size 5,6,8	074 008	•	•
Refrigerant pipes ⁽³⁾	KM1 5M 1/2"-1/4" models size 5,6	809 155	•	•
	KM1 7M 1/2"-1/4" models size 5,6	809 157	•	•
	KM1 10M 1/2"-1/4" models size 5,6	809 160	•	•
	KM1 25M 1/2"-1/4" models size 5,6	809 165	•	•
	KM1 5M 5/8"-1/4" model size 8	809 255	•	•
	KM1 7M 5/8"-1/4" model size 8 8	809 257	•	•
	KM1 10M 5/8"-1/4" model size 8 8	809 260	•	•
	KM1 25M 5/8"-1/4" model size 8	809 265	•	•
	KM1 5M 5/8"-3/8" model size 8 10	809 565	•	•
	KM1 7M 5/8"-3/8" model size 8 10	809 567	•	•
	KM1 10M 5/8"-3/8" model size 8 10	809 570	•	•
KM1 25M 5/8"-3/8" model size 8 10	809 575	•	•	
Protection pipes for refrigerant pipes	GO 80x60 (8 lg. de 2 m)	809 709	•	•
	GO 80x60 (2 lg. de 2 m)	809 716	•	•
	CGO 80x60 (x5)	809 723	•	•
	PMC 80x60 (x5)	809 729	•	•

⁽¹⁾ Only for the models 5, 6 and 8.

⁽²⁾ Installer has to make sure that the wall bracket installation will not transmit vibration (ground position is being preferred).

⁽³⁾ For a better protection of insulation against UV, Atlantic recommend the installation of protection pipes together with refrigerant pipes.



A series of horizontal lines for writing, consisting of 20 evenly spaced lines that span the width of the page. The lines are thin and black, providing a guide for text alignment and spacing.



This equipment complies with:

- Low Voltage Directive 2014/35/EC in accordance with NF EN 60335-1, NF EN 60335-2-40, NF EN 60529, NF EN 60529/A2 (IP) standards,
- Electromechanical Compatibility Directive 2014/30/EC,
- Machines Directive 2006/42/EC,
- Pressure Equipment Directive 2014/68/EC in accordance with NF EN 378-2 standard,
- Ecodesign Directive 2009/125/EC,
- Energy Labelling Directive 2010/30/EC.

This appliance also conforms to :

- Decree No. 92-1271 (and its modifications) relating to certain refrigeration fluids used in refrigeration and air conditioning equipment.
- Regulation 842/2006 of the European Parliament on certain fluorinated greenhouse gases.
- Standards relating to the product and testing methods used: Air-conditioners, liquid chiller units and heat pumps with a compressor driven by an electric motor for heating and refrigeration EN 14511-1, EN 14511-2, EN 14511-3, EN 14511-4.
- EN 12102 standard: Air-conditioners, heat pumps and dehumidifiers with compressor driven by electric motor. Measurement of airborne noise. Determination of the level of sound power.



This appliance is marked with this symbol. This means that electrical and electronic products shall not be mixed with general household waste.

European Community countries(*), Norway, Iceland and Liechtenstein should have a dedicated collection system for these products.

Do not try to dismantle the system yourself as this could have harmful effects on your health and on the environment.

The dismantling and treatment of refrigerant, oil and other parts must be done by a qualified installer in accordance with relevant local and national regulations.

This appliance must be treated at a specialized treatment facility for re-use, recycling and other forms of recovery and shall not be disposed of in the municipal waste stream.

Please contact the installer or local authority for more information.

* subject to the national law of each member state.

